

ZAXIS-7G series

HITACHI

Reliable Solutions

# ZAXIS890



## HYDRAULIC EXCAVATOR

|                    |                            |                          |                          |
|--------------------|----------------------------|--------------------------|--------------------------|
| Model code         | : ZX890-7G / ZX890LC-7G    | ZX890H-7G / ZX890LCH-7G  | ZX890LCR-7G              |
| Engine rated power | : 377 kW (506HP)           | 377 kW (506HP)           | 377 kW (506HP)           |
| Operating weight   | : 81 700 - 85 300 kg       | 81 900 - 85 400 kg       | 84 800 - 85 300 kg       |
| Bucket capacity    | : 2.9 - 6.0 m <sup>3</sup> | 3.5 - 6.0 m <sup>3</sup> | 3.5 - 4.3 m <sup>3</sup> |





# GET MORE FROM YOUR MACHINE

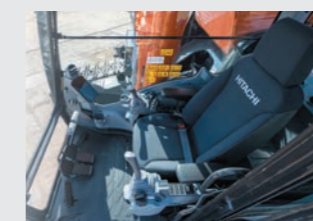
You're at the heart of Hitachi Construction Machinery's design for its latest range of excavators. To continuously improve on previous generation machines, we've focused on enhancing your profit in business.

We have made cost reduction for our customers our top priority and, in doing so, have achieved reduced fuel consumption. The cab has been redesigned to improve the operator's working environment and controllability, with production also expected to improve. An engine that already has a proven track record of high reliability has been adopted, and we have placed further work in it to make it even more robust. Remote failure diagnosis, monitoring, and OTA (Over The Air - controller rewriting) are also supported to reduce downtime.

## INSIDE



4-5 | MORE PRODUCTION  
LOWER FUEL CONSUMPTION



6-7 | BETTER  
OPERABILITY



8-9 | HIGH DURABILITY  
AND RELIABILITY



10-11 | GREATER DURABILITY IN  
QUARRY SITES R-series



12-13 | SMOOTH  
MAINTENANCE

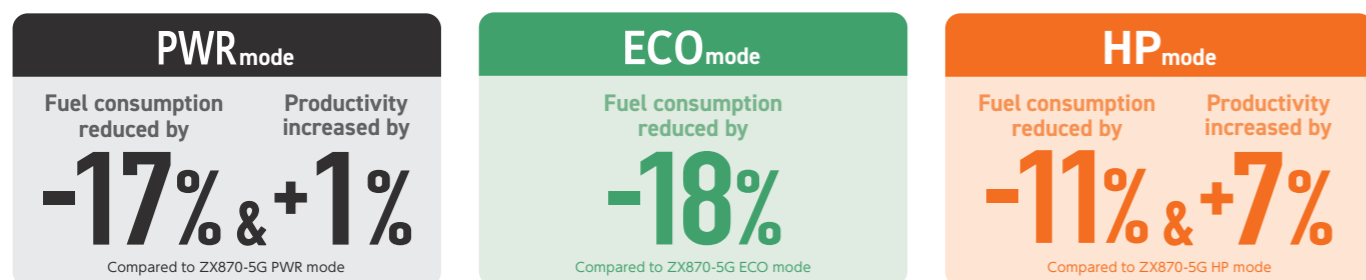


14-15 | MACHINE  
MANAGEMENT



# MORE PRODUCTION LOWER FUEL CONSUMPTION

The HIOS-V new Hydraulic system has achieved both increased productivity and reduced fuel consumption in each mode. The ZAXIS performance contributes to increase the returns to the customer.



## HIOS-V Hydraulic system

The hydraulic system developed was based on the concept of a hydraulic system that fits in-line with a sense of human operation.

- ✓ Efficient hydraulic control achieves smoother and more speedy movement of front attachments.
- ✓ Fine-tuned hydraulic pump control according to work load reduces fuel consumption and supports cost reductions.

## Reduced oil pressure loss

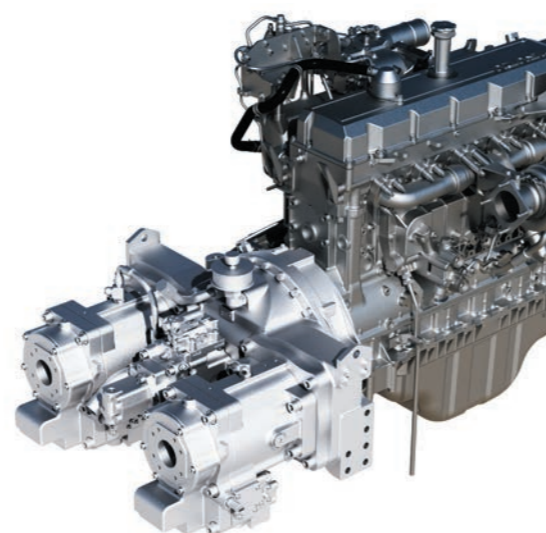
A new valve has been adopted to reduce hydraulic loss and further improve hydraulic efficiency.

- ✓ Contributing to low fuel consumption operation

## High power engine

Rated power has been increased from the conventional ZX870-5G engine contributing to greater work volume.

- ✓ Increased workload



|                               | ZX870-5G     | ZX890-7G     |
|-------------------------------|--------------|--------------|
| Rated output (ISO 14396:2002) | <b>360kW</b> | <b>377kW</b> |

## High efficiency operation support system

### ECO gauge

The current fuel consumption is indicated by segment display, prompting the operator to better fuel economy. The lower the fuel consumption, the higher the segment.

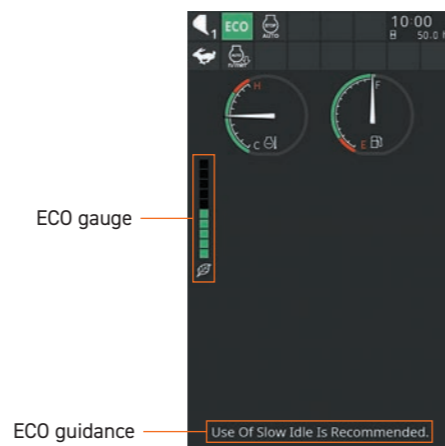
Easy to be removed and cleaned

### ECO guidance

Prompts the operator to better fuel economy.

Messages are also shown while the ECO gauge is displayed.

- ✓ Prompts operator for better economy





# BETTER OPERABILITY

In the cab of the ZAXIS-7G, enhanced comfort and safety features are at your fingertips, offering the power to perform greater productivity with ease as well as reduced fatigue.



Operation is easy with ergonomically designed controls and switches.



Low-reflective color 8" monitor, 42% larger display compared to ZX-5G series. Easier to view and navigate. Bluetooth® and USB power supply available.



New designed pilot shut-off lever  
The newly designed pilot shut-off lever allows easier locking and unlocking with wrist operation.



AERIAL ANGLE (Optional)  
270-degree bird's eye-view camera system is available as an option.

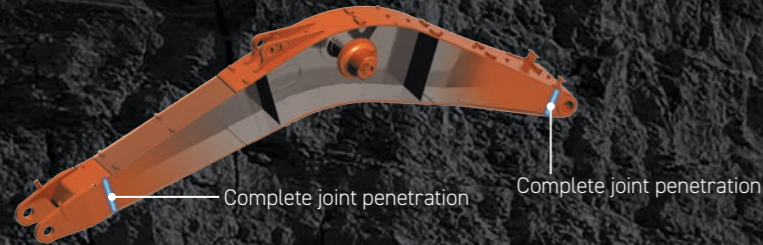


# HIGH DURABILITY AND RELIABILITY

Completing a project on time and on budget depends on the ability of your construction equipment to perform all day, every day. That's why Hitachi construction machinery owners have profited from generations of reliable and durable machinery. Hitachi Construction Machinery is always conscious of improving long-term reliability in its machine development. High long-term reliability is good in not only performance all day, every day but also for resale value.

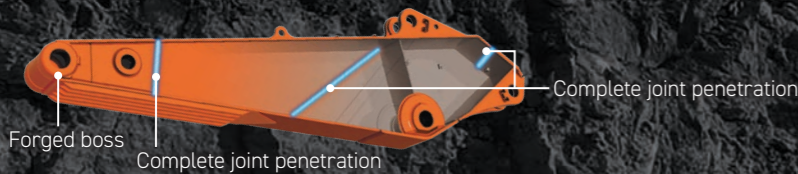
## H Boom

Complete joint penetration has been applied to areas where the load is focused, and durability and reliability have been further improved.



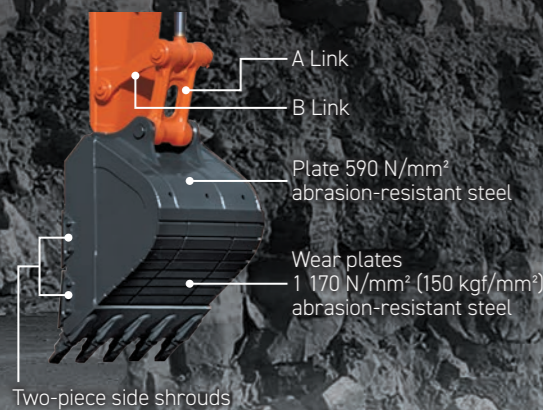
## H Arm

A forged boss is used in the arm rod. Complete joint penetration has been applied to areas where the load is focused, and durability and reliability have been further improved.



## Rock bucket (ZX890H-7G, ZX890LCH-7G only)

A rock bucket has been adopted in consideration for sites requiring heavier excavator work. Equipped with horizontal wear plates and two-piece side shrouds for increased durability.



## Undercarriage (ZX890H-7G, ZX890LCH-7G only)

**Full track guard**  
Protects the lower roller and link from boulders and extending the unit's operating life.



## Equipped with an Expansion tank

✓ Improving the reliability of the engine cooling performance



## An engine with improved reliability

The engine is a highly reliable model that has already been adopted previously. In adopting it for the ZX-7G, we have put in our efforts to further increase durability and to BOOST your uptime. EGR (Exhaust Gas Recirculation) is removed from the engine, increasing its durability for using low-quality fuel.



## H-front attachment (Same as the standard model)

## H/R Cab (ZX890H-7G, ZX890LCH-7G only)



A reinforced cab for H&R specification machines with a reinforced windshield and a FOPS\* guard that protects the cab from falling objects. The front has a laminated straight glass front window that shuts out dust. The cab front guard (optional), also complies with the ISO standard OPG\*\*.

\*FOPS: Falling-Object Protective Structure  
\*\*OPG: Operator Protective Guards

## Reinforced undercover (ZX890H-7G, ZX890LCH-7G only)

## Laminated straight glass front window

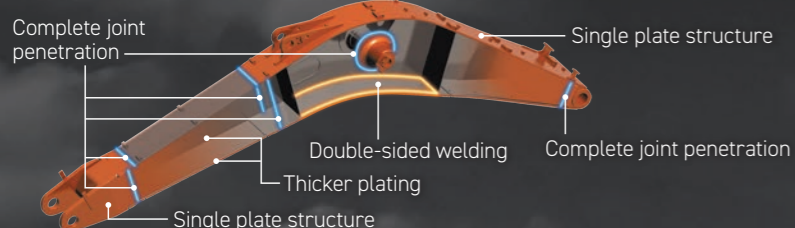


# GREATER DURABILITY IN QUARRY SITES R-series

Realizing higher quality and stronger durability  
 "Abrasion-resistant steel has been adopted, and strength has been further increased by changing the structure."  
 "Durable front structure and joints"  
 "Reinforced undercarriage that can withstand severe ground conditions"  
 Achieved stronger durability that meets customer needs.

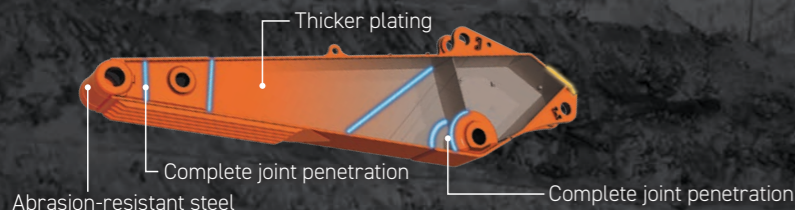
## R Boom

Double-sided welding and complete joint penetration are applied to improve the rigidity and durability of the boom. Durability is also improved by the boom end side plate's single plate structure, thicker boom end bush and other various components.



## R Arm

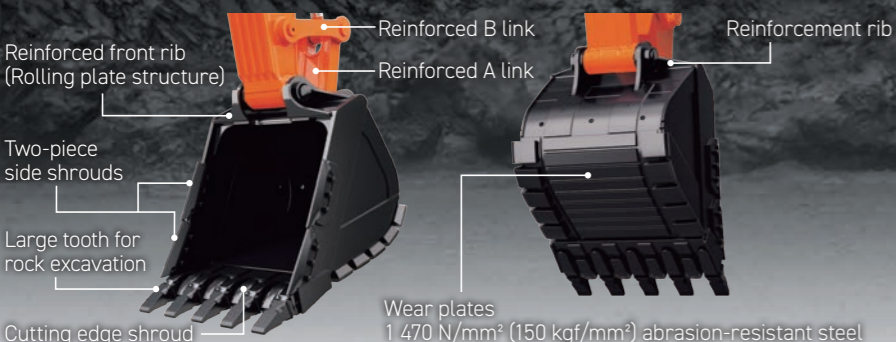
Thicker arm side frames are installed, improving durability. Arm dent prevention plates and five square bars prevent the deformation of the arm during digging and loading of limestone and crushed stone.



## R Bucket

**R bucket for crushed stones:** High durability by adopting abrasion-resistant steel, two-piece side shrouds, cutting edge shrouds, and large bucket claws for rock excavation. The side wear plate is made of 1 470 N/mm<sup>2</sup> (150 kgf/mm<sup>2</sup>) class abrasion-resistant steel that has high wear resistance and is easy to repair by welding. Repair work such as replacements can also be done relatively easily.

**R Bucket for limestone:** Limestone has slightly sticky properties and can be tough to work with, and places a large load on the front structure during excavation. For this reason, the R bucket designed for limestone has a structure that emphasizes crack prevention. The arm mounting bracket has been strengthened with added ribs. Impact resistance is improved by increasing the length of welded part. In addition, 1 470 N/mm<sup>2</sup> (150 kgf/mm<sup>2</sup>) grade abrasion-resistant steel is used to improve wear resistance.

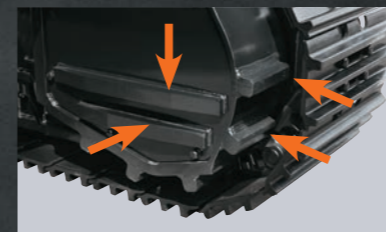


\*The photo shows the R bucket for crushed stone.

## Undercarriage

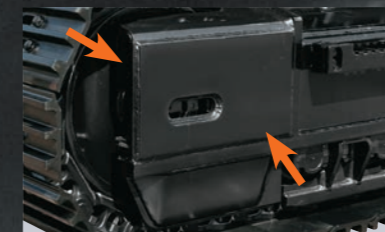
### Reinforced travel motor guard

Protects the travel motor from rocks and prevents the damage to travel motor.



### Reinforced idler bracket

The idler bracket is strengthened to cope with frequent impacts.



### Full track guard

Protects the lower roller link from rocks and extending the unit's operating life.



## H/R Cab



A reinforced cab for H&R specification machines with a reinforced windshield and a FOPS\* guard that protects the cab from falling objects. The front has a laminated straight glass front window that shuts out dust. The cab front guard (optional), also complies with the ISO standard OPG\*\*.

\*FOPS: Falling-Object Protective Structure  
 \*\*OPG: Operator Protective Guards

## Reinforced B Link

## Reinforced A link

Laminated straight glass front window

Reinforced undercover

Photo:ZX890LCR-7G



# SMOOTH MAINTENANCE

Regular maintenance is essential for the machine to achieve high performance. Hitachi's excavator is designed for ease of regular maintenance. Simple and easy maintenance keeps the machine in good condition and keeps its high performance.



## Easy-access air conditioner condenser

- ✓ The cover can be opened without the need for any tools
- ✓ Easy to clean Radiator/Oil Cooler/Inter cooler core with simple air blowing



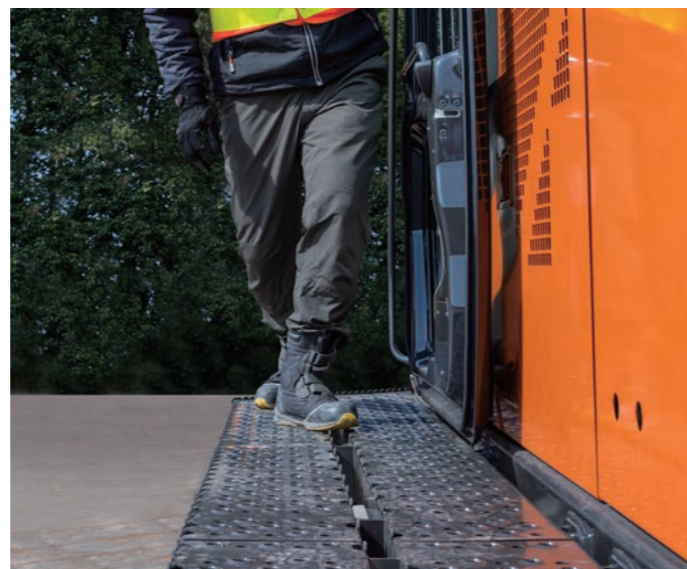
## Dust-proof net on right side cover

- ✓ Provided on the cover, in front of radiator core
- ✓ Easy cleaning with compressed air



## Simplified engine oil drainage

- ✓ Drain work can be done more easily by attaching a dedicated nozzle hose.



## Side walk

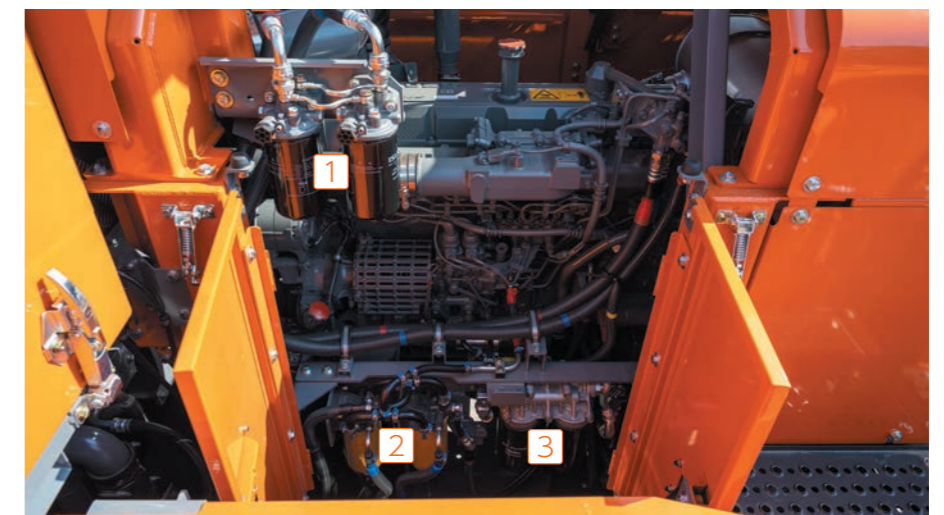
- ✓ Easy to move from cab to pump room or platform



## Easy access to filters

Filter locations are concentrated in the pump room

- 1 Fuel main filter
- 2 Fuel pre-filter with water separator
- 3 Engine oil filter





# MACHINE MANAGEMENT

Hitachi Construction Machinery offers a wide range of after-sales services to help you feel in total control of your fleet and workload. These initiatives give you access to vital data and tools to manage your machine.



**ConSite**  
Consolidated Solution for Construction Sites



A wide range of data on Global e-Service enhances efficiency.

## Data report

Regular reports inform you of the machine's operation status. Emergency reports inform you of alarm information. The stable operation of the machine is further supported with two types of reports visualizing the machine's daily operation status.

## Monthly report

Regular reports on the operating status of each machine.

## Alarm report

If an emergency alarm is generated from a sensor mounted on the machine, its alarm content is reported by e-mail in a timely manner. You can receive it on your computer, mobile phone, or smartphone (communication format is via e-mail).

movie for further info.



## ConSite Air

This is a service solution to diagnose machine status and update software from a remote location using OTA (Over The Air).

- Machine status, including error code display and sensor data, can be checked quickly, reducing downtime due to machine trouble.
- Software updates can be performed remotely, reducing the amount of machine downtime required.



Remote Diagnosis



Remote Software update

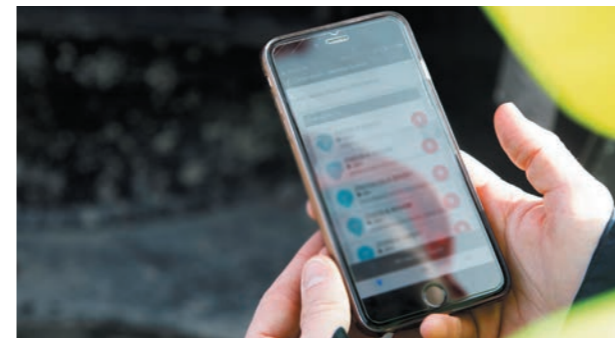
movie for further info.



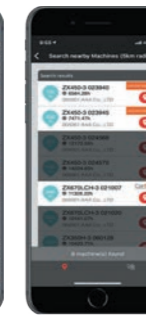
## ConSite Pocket

ConSite Pocket sends you real-time alerts for issues arising with your machine. You'll receive recommendations on what to do and step-by-step help guides. The app also enables you to see the location of your fleet.

- Use your smartphone to check monthly reports, alarm reports, as well as machine operating positions.
- If an alarm report is generated, the system will notify you immediately using a push notification.



Monthly report



Machine finder



Location information

movie for further info.



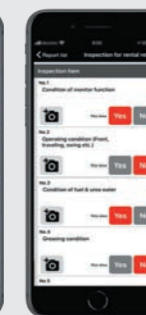
## ConSite Shot

This is a smartphone application that allows you to easily perform daily inspections of your machines and rental warehousing / delivery management.

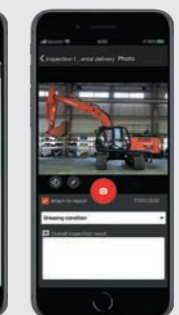
- You can easily create high-quality inspection reports and share information within your company or with agents etc.
- Customers who have rental machines can also use it during rental warehousing / delivery inspections.



Load condition



Acceptance or delivery inspection of rental machines



Inspection report with condition photo

movie for further info.



## ConSite OIL

This system detects if the oil quality has deteriorated, due to contamination or low viscosity. If this happens, you and your authorized dealer will receive an alert.

movie for further info.





# SPECIFICATIONS

| ENGINE                 |  |
|------------------------|--|
| Model                  | Isuzu AE-6WG1XWSA                                    |
| Type                   | 4-cycle water-cooled, common rail direct injection   |
| Aspiration             | Variable geometry turbocharged, intercooled          |
| No. of cylinders       | 6  |
| Rated power            |  |
| ISO 14396 : 2002 gross | 377 kW (506 HP) at 1 800 min <sup>-1</sup> (rpm)     |
| ISO 9249 : 2007 net    | 375 kW (503 HP) at 1 800 min <sup>-1</sup> (rpm)     |
| Maximum torque         | 2 138 Nm (218 kgfm) at 1 500 min <sup>-1</sup> (rpm) |
| Piston displacement    | 15.681 L   |
| Bore and stroke        | 147 mm x 154 mm                                      |
| Batteries              | 2 x 12 V   |

| HYDRAULIC SYSTEM             |  |        |              |
|------------------------------|--|--------|--------------|
| <b>Hydraulic Pumps</b>       |  |        |              |
| Main pumps                   | 2 variable displacement axial piston pumps |        |              |
| Maximum oil flow             | 2 x 512 L/min                              |        |              |
| Pilot pump                   | 1 gear pump                                |        |              |
| Maximum oil flow             | 50 L/min                                   |        |              |
| <b>Hydraulic Motors</b>      |  |        |              |
| Travel                       | 2 axial piston motors with parking brake   |        |              |
| Swing                        | 2 axial piston motor                       |        |              |
| <b>Relief Valve Settings</b> |  |        |              |
| Implement circuit            | 31.9 MPa (325 kgf/cm <sup>2</sup> )        |        |              |
| Swing circuit                | 28.4 MPa (290 kgf/cm <sup>2</sup> )        |        |              |
| Travel circuit               | 34.3 MPa (350 kgf/cm <sup>2</sup> )        |        |              |
| Pilot circuit                | 3.9 MPa (40 kgf/cm <sup>2</sup> )          |        |              |
| Power boost                  | 34.3 MPa (350 kgf/cm <sup>2</sup> )        |        |              |
| <b>Hydraulic Cylinders</b>   |  |        |              |
|                              | Quantity                                   | Bore   | Rod diameter |
| Boom                         | 2  | 215 mm | 150 mm       |
| Arm                          | 1  | 225 mm | 160 mm       |
| Bucket                       | 1  | 200 mm | 140 mm       |
| Bucket (BE)                  | 1  | 215 mm | 150 mm       |

| UPPERSTRUCTURE  |                             |
|---|-----------------------------|
| <b>Revolving Frame</b>  |                             |
| D-section frame for resistance to deformation.  |                             |
| <b>Swing Device</b>   |                             |
| Axial piston motor with planetary reduction gear is bathed in oil. Swing circle is single-row. Swing parking brake is spring-set/hydraulicreleased disc type. |                             |
| Swing speed   | 7.4 min <sup>-1</sup> (rpm) |
| Swing torque  | 194 kNm (19 800 kgfm)       |

| UNDERCARRIAGE  |  |
|--|--|
| <b>Tracks</b>  |  |
| Heat-treated connecting pins with dirt seals. Hydraulic (grease) track adjusters with shock-absorbing recoil springs.  |  |
| <b>Numbers of Rollers and Shoes on Each Side</b>   |  |
| Upper rollers  | 3  |
| Lower rollers  | 8 : ZX890-7G / ZX890H-7G                                 |
|  | 9 : ZX890LC-7G / ZX890LCH-7G / ZX890LCR-7G               |
| Track shoes  | 47 : ZX890-7G / ZX890H-7G                                |
|  | 51 : ZX890LC-7G / ZX890LCH-7G / ZX890LCR-7G              |
| Track guards   | 2 : ZX890-7G / ZX890LC-7G                                |
|  | Full track guard : ZX890H-7G / ZX890LCH-7G / ZX890LCR-7G |
| <b>Travel Device</b>   |  |
| Each track driven by axial piston motor through reduction gear for counterrotation of the tracks. Parking brake is spring-set/hydraulic-released disc type. Automatic transmission system: High-Low. |  |
| Travel speeds  | High : 0 to 4.6 km/h                                     |
|  | Low : 0 to 3.1 km/h                                      |
| Maximum traction force   | 560 kN (57 100 kgf)                                      |
| Gradeability   | 70 % (35 degree) continuous                              |

| SERVICE REFILL CAPACITIES |           |
|---------------------------|-----------|
| Fuel tank                 | 1 110.0 L |
| Engine coolant            | 133.0 L   |
| Engine oil                | 54.0 L    |
| Pump drive                | 6.2 L     |
| Swing device (each)       | 15.7 L    |
| Travel device (each side) | 19.0 L    |
| Hydraulic system          | 1 042.0 L |
| Hydraulic oil tank        | 500.0 L   |

| WEIGHTS AND GROUND PRESSURE                 |            |           |           |   |                  |                 |                     |
|---|------------|-----------|-----------|---|------------------|-----------------|---------------------|
| <b>Operating Weight and Ground Pressure</b> |            |           |           |   |                  |                 |                     |
| <b>ZX890-7G</b>                             |            |           |           |   |                  |                 |                     |
| Shoe grouser type                           | Shoe width | Arm type  | Boom type | Bucket Capacity (ISO7451 : 2007 heaped) | Operating weight | Ground pressure |                     |
|   | mm         |           |           |   | kg               | kPa             | kgf/cm <sup>2</sup> |
| Double                                      | 650        | 2.95 m BE | 7.1 m BE  | 4.5 m <sup>3</sup> Bucket               | 81 700           | 123             | 1.25                |
|   |            | 3.7 m H   | 8.4 m H   | 3.5 m <sup>3</sup> Bucket               | 81 900           | 123             | 1.25                |
|   | 750        | 2.95 m BE | 7.1 m BE  | 4.5 m <sup>3</sup> Bucket               | 82 300           | 107             | 1.09                |
|   |            | 3.7 m H   | 8.4 m H   | 3.5 m <sup>3</sup> Bucket               | 82 500           | 107             | 1.09                |

| <b>ZX890LC-7G</b> |            |           |           |   |                  |                 |                     |
|-------------------|------------|-----------|-----------|---|------------------|-----------------|---------------------|
| Shoe grouser type | Shoe width | Arm type  | Boom type | Bucket Capacity (ISO7451 : 2007 heaped) | Operating weight | Ground pressure |                     |
|                   | mm         |           |           |   | kg               | kPa             | kgf/cm <sup>2</sup> |
| Double            | 650        | 2.95 m BE | 7.1 m BE  | 4.5 m <sup>3</sup> Bucket               | 83 500           | 125             | 1.27                |
|                   |            | 3.7 m H   | 8.4 m H   | 3.5 m <sup>3</sup> Bucket               | 83 600           | 125             | 1.27                |
|                   | 750        | 2.95 m BE | 7.1 m BE  | 4.5 m <sup>3</sup> Bucket               | 84 200           | 109             | 1.11                |
|                   |            | 3.7 m H   | 8.4 m H   | 3.5 m <sup>3</sup> Bucket               | 84 300           | 110             | 1.12                |
|                   | 900        | 2.95 m BE | 7.1 m BE  | 4.5 m <sup>3</sup> Bucket               | 85 100           | 92              | 0.94                |
|                   |            | 3.7 m H   | 8.4 m H   | 3.5 m <sup>3</sup> Bucket               | 85 300           | 92              | 0.94                |

| <b>ZX890H-7G</b>  |            |           |           |   |                  |                 |                     |
|-------------------|------------|-----------|-----------|---|------------------|-----------------|---------------------|
| Shoe grouser type | Shoe width | Arm type  | Boom type | Bucket Capacity (ISO7451 : 2007 heaped) | Operating weight | Ground pressure |                     |
|                   | mm         |           |           |   | kg               | kPa             | kgf/cm <sup>2</sup> |
| Double            | 650        | 2.95 m BE | 7.1 m BE  | 4.3 m <sup>3</sup> Rock Bucket          | 82 500           | 124             | 1.26                |
|                   |            | 3.7 m H   | 7.1 m BE  | 3.7 m <sup>3</sup> Rock Bucket          | 81 900           | 123             | 1.25                |
|                   |            | 3.7 m H   | 8.4 m H   | 3.5 m <sup>3</sup> Rock Bucket          | 82 400           | 124             | 1.26                |

| <b>ZX890LCH-7G</b> |            |           |           |   |                  |                 |                     |
|--------------------|------------|-----------|-----------|---|------------------|-----------------|---------------------|
| Shoe grouser type  | Shoe width | Arm type  | Boom type | Bucket Capacity (ISO7451 : 2007 heaped) | Operating weight | Ground pressure |                     |
|                    | mm         |           |           |   | kg               | kPa             | kgf/cm <sup>2</sup> |
| Double             | 650        | 2.95 m BE | 7.1 m BE  | 4.3 m <sup>3</sup> Rock Bucket          | 84 300           | 126             | 1.28                |
|                    |            | 3.7 m H   | 7.1 m BE  | 3.7 m <sup>3</sup> Rock Bucket          | 83 800           | 126             | 1.28                |
|                    |            | 3.7 m H   | 8.4 m H   | 3.5 m <sup>3</sup> Rock Bucket          | 84 200           | 126             | 1.28                |

| <b>ZX890LCR-7G</b> |            |            |           |   |                  |                 |                     |
|--------------------|------------|------------|-----------|---|------------------|-----------------|---------------------|
| Shoe grouser type  | Shoe width | Arm type   | Boom type | Bucket Capacity (ISO7451 : 2007 heaped) | Operating weight | Ground pressure |                     |
|                    | mm         |            |           |   | kg               | kPa             | kgf/cm <sup>2</sup> |
| Double             | 650        | 2.95 m BER | 7.1 m BER | 4.3 m <sup>3</sup> R Bucket             | 84 800           | 127             | 1.30                |
|                    |            | 3.7 m R    | 7.1 m BER | 3.7 m <sup>3</sup> R Bucket             | 85 300           | 128             | 1.31                |
|                    |            | 3.7 m R    | 8.4 m R   | 3.5 m <sup>3</sup> R Bucket             | 84 700           | 127             | 1.30                |



# SPECIFICATIONS

## BUCKET AND ARM DIGGING FORCE

### ZX890-7G / ZX890LC-7G

| Boom length                     | 7.1 m BE                             |        | 8.4 m H |        |
|---------------------------------|--------------------------------------|--------|---------|--------|
|                                 | 2.95 m BE                            |        | 3.7 m H |        |
| Arm length                      | kN                                   | kgf    | kN      | kgf    |
|                                 | Bucket digging force ISO 6015 : 2006 | 472    | 48 100  | 399    |
| Arm crowd force ISO 6015 : 2006 | 394                                  | 40 200 | 323     | 32 900 |

Calculated value at power boost

### ZX890H-7G / ZX890LCH-7G

| Boom length                     | 7.1 m BE                             |        |         |        | 8.4 m H |        |
|---------------------------------|--------------------------------------|--------|---------|--------|---------|--------|
|                                 | 2.95 m BE                            |        | 3.7 m H |        | 3.7 m H |        |
| Arm length                      | kN                                   | kgf    | kN      | kgf    | kN      | kgf    |
|                                 | Bucket digging force ISO 6015 : 2006 | 472    | 48 100  | 402    | 41 000  | 402    |
| Arm crowd force ISO 6015 : 2006 | 394                                  | 40 200 | 324     | 33 000 | 324     | 33 000 |

Calculated value at power boost

### ZX890LCR-7G

| Boom length                     | 7.1 m BER                            |        |         |        | 8.4 m R |        |
|---------------------------------|--------------------------------------|--------|---------|--------|---------|--------|
|                                 | 2.95 m BER                           |        | 3.7 m R |        | 3.7 m R |        |
| Arm length                      | kN                                   | kgf    | kN      | kgf    | kN      | kgf    |
|                                 | Bucket digging force ISO 6015 : 2006 | 472    | 48 100  | 402    | 41 000  | 402    |
| Arm crowd force ISO 6015 : 2006 | 394                                  | 40 200 | 324     | 33 000 | 324     | 33 000 |

Calculated value at power boost

## BACKHOE ATTACHMENTS

### ZX890-7G

| Bucket               | Capacity (m <sup>3</sup> ) | Width (mm)           |                   | No. of teeth | Weight (kg) | Boom 7.1 m BE                                  | Boom 8.4 m H |
|----------------------|----------------------------|----------------------|-------------------|--------------|-------------|--|--------------|
|                      | ISO7451: 2007 heaped       | Without side cutters | With side cutters |              |             | Arm 2.95 m BE                                  | Arm 3.7 m H  |
| Hoe bucket           | 2.9                        | 1 590                | 1 780             | 5            | 2 700       | ×  | ○            |
|                      | 3.5                        | 1 850                | 2 040             | 5            | 2 950       | ×  | ○            |
|                      | 4.5                        | 2 120                | 2 190             | 5            | 3 970       | ○  | ×            |
| Rock bucket          | 5.0                        | 2 240                | 2 260             | 5            | 4 660       | ○  | ×            |
| Applicable shoe type |                            |                      |                   |              |             | 650 mm double grouser<br>750 mm double grouser |              |

### ZX890LC-7G

| Bucket               | Capacity (m <sup>3</sup> ) | Width (mm)           |                   | No. of teeth | Weight (kg) | Boom 7.1 m BE   | Boom 8.4 m H |
|----------------------|----------------------------|----------------------|-------------------|--------------|-------------|---|--------------|
|                      | ISO7451: 2007 heaped       | Without side cutters | With side cutters |              |             | Arm 2.95 m BE   | Arm 3.7 m H  |
| Hoe bucket           | 2.9                        | 1 590                | 1 780             | 5            | 2 700       | ×   | ○            |
|                      | 3.5                        | 1 850                | 2 040             | 5            | 2 950       | ×   | ○            |
|                      | 4.5                        | 2 120                | 2 190             | 5            | 3 970       | ○   | ×            |
|                      | 6.0                        | 2 520                | 2 520             | 5            | 5 380       | □   | ×            |
| Rock bucket          | 5.0                        | 2 240                | 2 260             | 5            | 4 660       | ○   | ×            |
| Applicable shoe type |                            |                      |                   |              |             | 650 mm double grouser<br>750 mm double grouser<br>900 mm double grouser |              |

### ZX890H-7G

| Bucket               | Capacity (m <sup>3</sup> ) | Width (mm)           |                   | No. of teeth | Weight (kg) | Boom 7.1 m BE         |             | Boom 8.4 m H |
|----------------------|----------------------------|----------------------|-------------------|--------------|-------------|-----------------------|-------------|--------------|
|                      | ISO7451: 2007 heaped       | Without side cutters | With side cutters |              |             | Arm 2.95 m BE         | Arm 3.7 m H | Arm 3.7 m H  |
| Rock bucket          | 3.5                        | 1 870                | 1 890             | 5            | 3 790       | ×                     | ●           | ●            |
|                      | 3.7                        | 1 950                | 1 970             | 5            | 3 900       | ×                     | ●           | ×            |
|                      | 4.3                        | 2 090                | 2 110             | 5            | 4 270       | ●                     | ×           | ×            |
|                      | 5.0                        | 2 240                | 2 260             | 5            | 4 660       | ○                     | ×           | ×            |
| Ripper bucket        | 1.9                        | –                    | 1 490             | 3            | 4 200       | ×                     | ●           | ●            |
|                      | 2.2                        | –                    | 1 580             | 3            | 4 400       | ●                     | ×           | ×            |
| One-point ripper     |                            |                      |                   | 1            | 2 680       | ●                     | ●           | ●            |
| Applicable shoe type |                            |                      |                   |              |             | 650 mm double grouser |             |              |

### ZX890LCH-7G

| Bucket               | Capacity (m <sup>3</sup> ) | Width (mm)           |                   | No. of teeth | Weight (kg) | Boom 7.1 m BE         |             | Boom 8.4 m H |
|----------------------|----------------------------|----------------------|-------------------|--------------|-------------|-----------------------|-------------|--------------|
|                      | ISO7451: 2007 heaped       | Without side cutters | With side cutters |              |             | Arm 2.95 m BE         | Arm 3.7 m H | Arm 3.7 m H  |
| Hoe bucket           | 6.0                        | 2 520                | 2 520             | 5            | 5 380       | □                     | ×           | ×            |
| Rock bucket          | 3.5                        | 1 870                | 1 890             | 5            | 3 790       | ×                     | ●           | ●            |
|                      | 3.7                        | 1 950                | 1 970             | 5            | 3 900       | ×                     | ●           | ×            |
|                      | 4.3                        | 2 090                | 2 110             | 5            | 4 270       | ●                     | ×           | ×            |
| Ripper bucket        | 5.0                        | 2 240                | 2 260             | 5            | 4 660       | ○                     | ×           | ×            |
|                      | 1.9                        | –                    | 1 490             | 3            | 4 200       | ×                     | ●           | ●            |
|                      | 2.2                        | –                    | 1 580             | 3            | 4 400       | ●                     | ×           | ×            |
| One-point ripper     |                            |                      |                   | 1            | 2 680       | ●                     | ●           | ●            |
| Applicable shoe type |                            |                      |                   |              |             | 650 mm double grouser |             |              |

### ZX890LCR-7G

| Bucket               | Capacity (m <sup>3</sup> ) | Width (mm)           |                   | No. of teeth | Weight (kg) | Boom 7.1 m BER        |             | Boom 8.4 m R |
|----------------------|----------------------------|----------------------|-------------------|--------------|-------------|-----------------------|-------------|--------------|
|                      | ISO7451: 2007 heaped       | Without side cutters | With side cutters |              |             | Arm 2.95 m BER        | Arm 3.7 m R | Arm 3.7 m R  |
| R bucket             | 3.5                        | 1 870                | 1 890             | 5            | 4 870       | ×                     | ●           | ●            |
|                      | 3.7                        | 1 950                | 1 970             | 5            | 4 970       | ×                     | ●           | ×            |
|                      | 4.3                        | 2 090                | 2 110             | 5            | 5 690       | ●                     | ×           | ×            |
| Applicable shoe type |                            |                      |                   |              |             | 650 mm double grouser |             |              |

● Heavy-duty service

□ Suitable for material with density of 1 200 kg/m<sup>3</sup> or less

○ Suitable for material with density of 1 500 kg/m<sup>3</sup> or less

◎ Suitable for material with density of 1 800 kg/m<sup>3</sup> or less

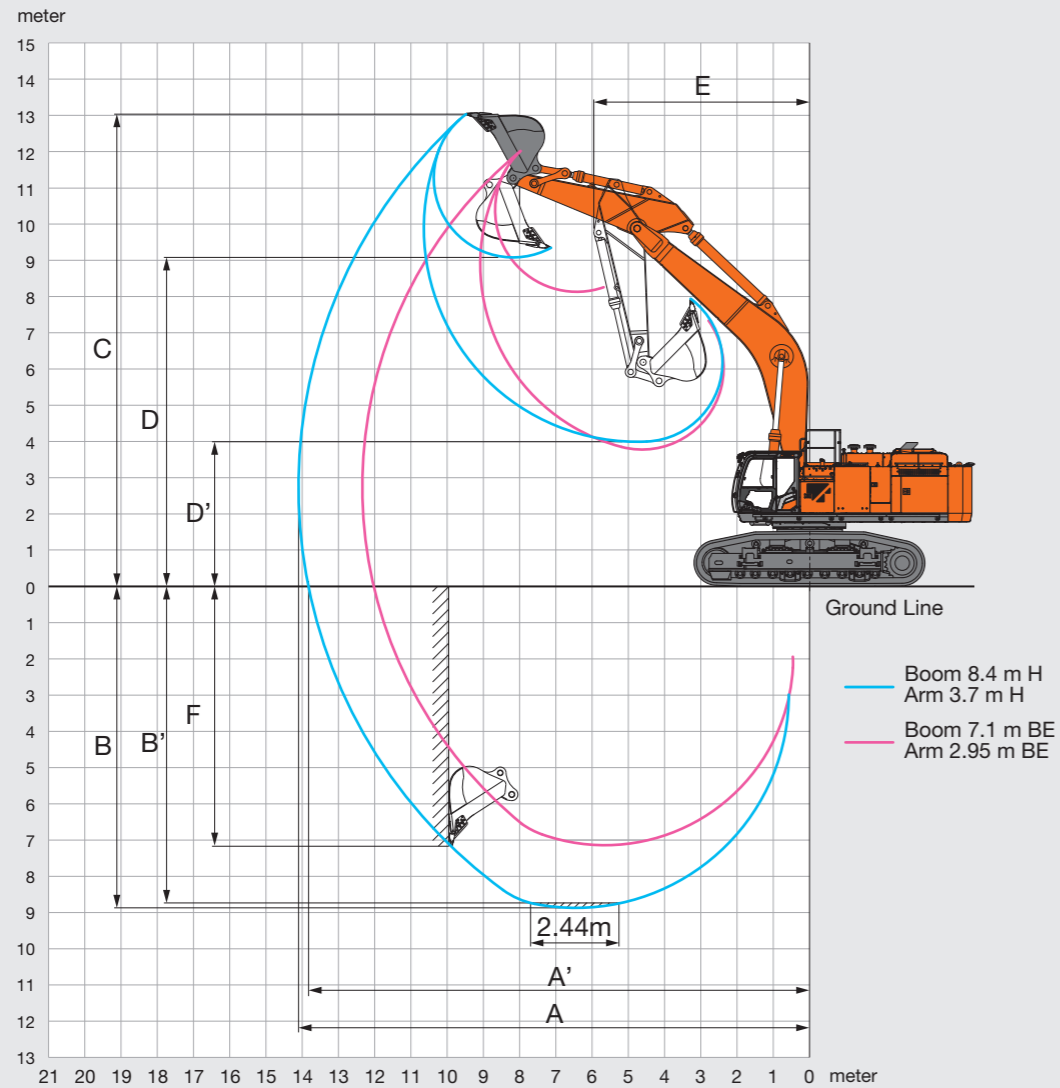
× Can't be installed



# SPECIFICATIONS

ZX890-7G / ZX890LC-7G

## WORKING RANGES



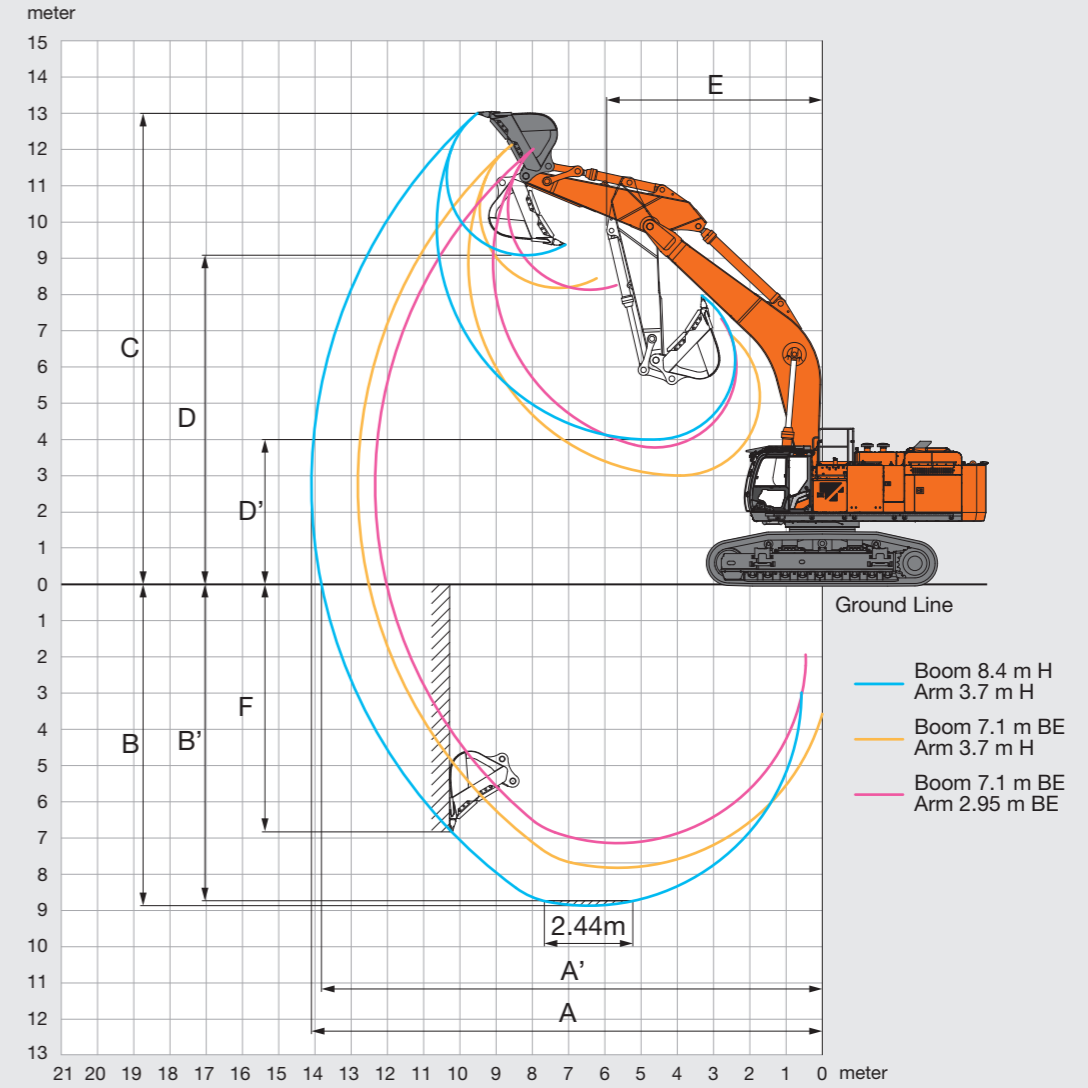
Unit: mm

|  | ZX890-7G / ZX890LC-7G |         |
|--|-----------------------|---------|
|  | 7.1 m BE              | 8.4 m H |
| Arm length                             | 2.95 m BE             | 3.7 m H |
| A Max. digging reach                   | 12 340                | 14 100  |
| A' Max. digging reach (on ground)      | 12 020                | 13 820  |
| B Max. digging depth                   | 7 140                 | 8 870   |
| B' Max. digging depth for 2.44 m level | 7 000                 | 8 740   |
| C Max. cutting height                  | 12 010                | 13 030  |
| D Max. dumping height                  | 8 130                 | 9 080   |
| D' Min. dumping height                 | 3 770                 | 3 990   |
| E Min. swing radius                    | 5 210                 | 5 950   |
| F Max. vertical wall digging depth     | 4 100                 | 7 170   |

Excluding track shoe lug

ZX890H-7G / ZX890LCH-7G

## WORKING RANGES



Unit: mm

|  | ZX890H-7G / ZX890LCH-7G |         |         |
|--|-------------------------|---------|---------|
|  | 7.1 m BE                | 3.7 m H | 8.4 m H |
| Arm length                             | 2.95 m BE               | 3.7 m H | 3.7 m H |
| A Max. digging reach                   | 12 340                  | 12 810  | 14 100  |
| A' Max. digging reach (on ground)      | 12 020                  | 12 510  | 13 820  |
| B Max. digging depth                   | 7 140                   | 7 820   | 8 870   |
| B' Max. digging depth for 2.44 m level | 7 000                   | 7 690   | 8 740   |
| C Max. cutting height                  | 12 010                  | 12 130  | 13 000  |
| D Max. dumping height                  | 8 130                   | 8 180   | 9 080   |
| D' Min. dumping height                 | 3 770                   | 3 000   | 3 990   |
| E Min. swing radius                    | 5 210                   | 5 090   | 5 950   |
| F Max. vertical wall digging depth     | 4 100                   | 6 090   | 6 840   |

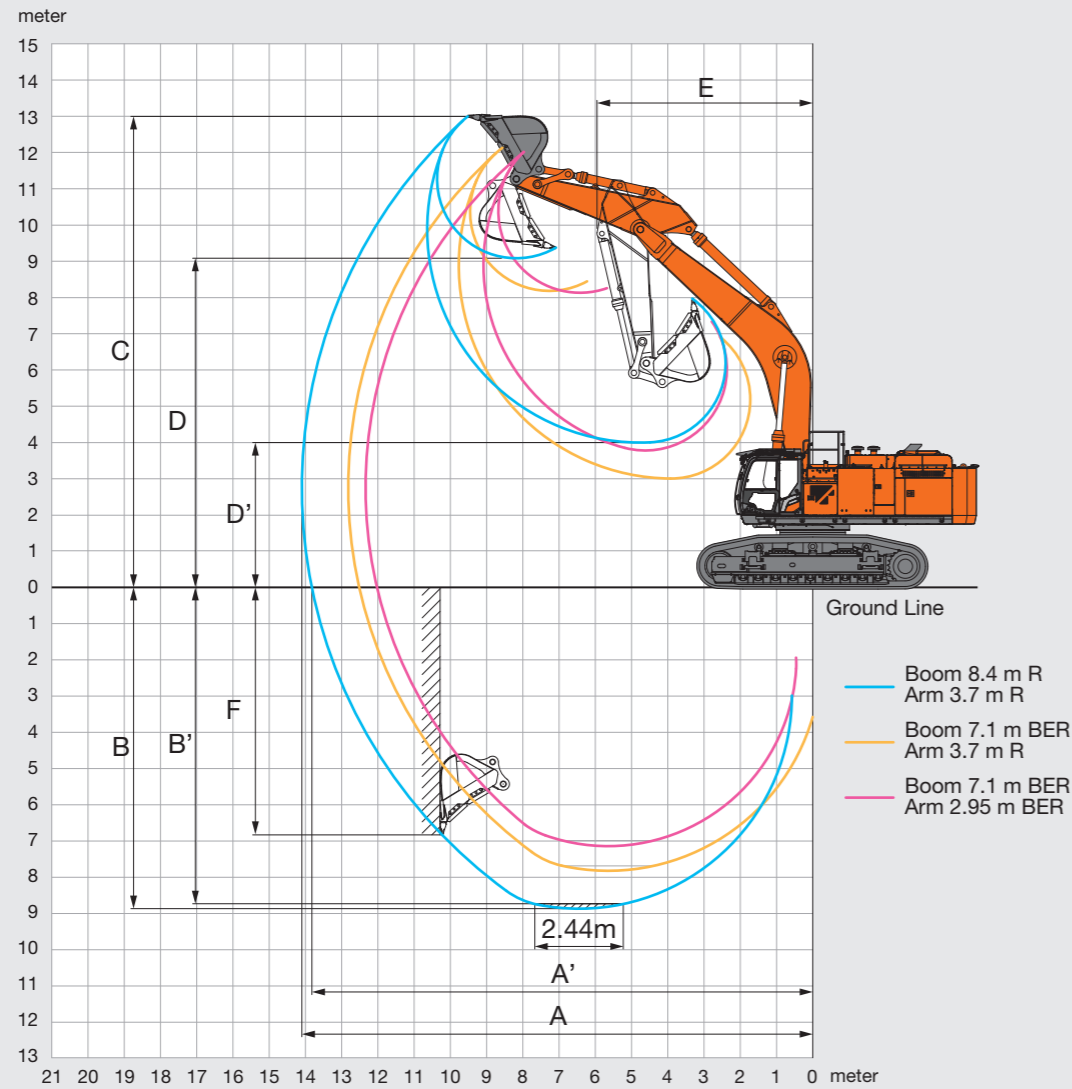
Excluding track shoe lug



# SPECIFICATIONS

ZX890LCR-7G

## WORKING RANGES



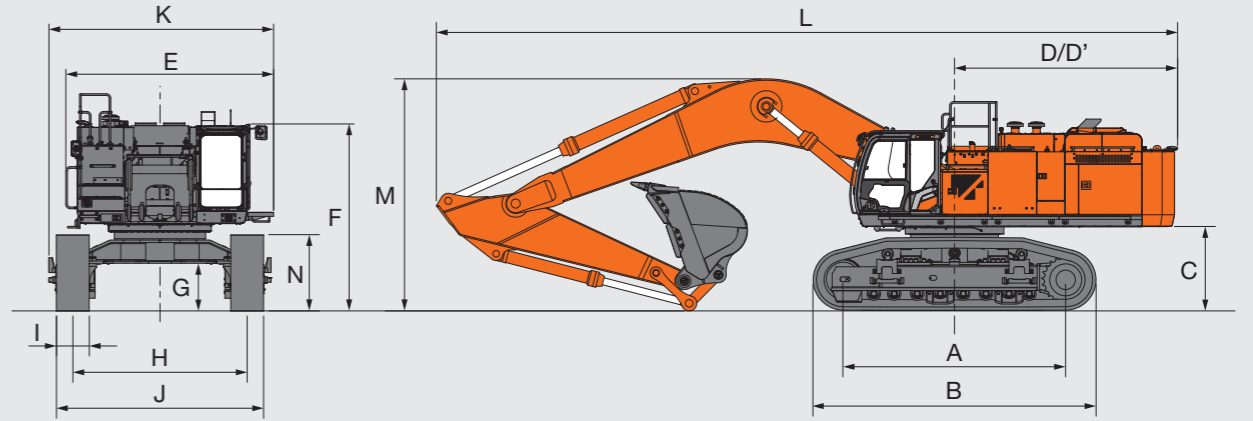
Unit: mm

|  | ZX890LCR-7G |         |         |
|--|-------------|---------|---------|
|  | 7.1 m BER   |         | 8.4 m R |
|  | 2.95 m BER  | 3.7 m R | 3.7 m R |
| A Max. digging reach                   | 12 340      | 12 810  | 14 100  |
| A' Max. digging reach (on ground)      | 12 020      | 12 510  | 13 820  |
| B Max. digging depth                   | 7 140       | 7 820   | 8 870   |
| B' Max. digging depth for 2.44 m level | 7 000       | 7 690   | 8 740   |
| C Max. cutting height                  | 12 010      | 12 130  | 13 000  |
| D Max. dumping height                  | 8 130       | 8 180   | 9 080   |
| D' Min. dumping height                 | 3 770       | 3 000   | 3 990   |
| E Min. swing radius                    | 5 210       | 5 090   | 5 950   |
| F Max. vertical wall digging depth     | 4 100       | 6 090   | 6 840   |

Excluding track shoe lug

ZX890-7G / ZX890LC-7G / ZX890H-7G / ZX890LCH-7G / ZX890LCR-7G

## DIMENSIONS



Unit: mm

|  | ZX890-7G         | ZX890LC-7G      | ZX890H-7G     | ZX890LCH-7G   | ZX890LCR-7G   |
|--|------------------|-----------------|---------------|---------------|---------------|
| A Distance between tumblers                  | 4 590            | 5 110           | 4 590         | 5 110         | 5 110         |
| B Undercarriage length                       | 5 840            | 6 360           | 5 840         | 6 360         | 6 360         |
| *1C Counterweight clearance                  | 1 680            | 1 680           | 1 680         | 1 680         | 1 680         |
| D Rear-end swing radius                      | 4 600            | 4 600           | 4 600         | 4 600         | 4 600         |
| D' Rear-end length                           | 4 520            | 4 520           | 4 520         | 4 520         | 4 520         |
| E Overall width of upperstructure            | 4 120            | 4 120           | 4 120         | 4 120         | 4 120         |
| F Overall height of cab                      | 3 690            | 3 690           | 3 800         | 3 800         | 3 800         |
| *1G Min. ground clearance                    | 890              | 890             | 890           | 890           | 890           |
| H Track gauge : Extended / Retracted         | 3 450 / 2 830    | 3 450 / 2 830   | 3 450 / 2 830 | 3 450 / 2 830 | 3 450 / 2 830 |
| I Track shoe width                           | 650 / 750        | 650 / 750 / 900 | 650           | 650           | 650           |
| J Undercarriage width : Extended / Retracted |                  |                 |               |               |               |
|  | with 650 mm shoe | 4 100 / 3 480   | 4 100 / 3 480 | 4 100 / 3 480 | 4 100 / 3 480 |
|  | with 750 mm shoe | 4 200 / 3 580   | 4 200 / 3 580 | -             | -             |
|  | with 900 mm shoe | -               | 4 350 / 3 730 | -             | -             |
| K Overall width                              | 4 450            | 4 450           | 4 450         | 4 450         | 4 450         |
| *2L Overall length                           | 14 800           | 14 800          | 14 800        | 14 800        | 14 800        |
| *2M Overall height of boom                   | 4 770            | 4 770           | 4 770         | 4 770         | 4 770         |
| *2N Track height                             | 1 500            | 1 500           | 1 500         | 1 500         | 1 500         |

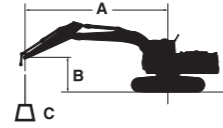
\*1 Excluding track shoe lug

\*2 with Boom 8.4 m and Arm 3.7 m



# MACHINE CAPACITIES

- Notes: 1. Ratings are based on ISO 10567 : 2007.  
 2. Machine capacity does not exceed 75% of tipping load with the machine on firm, level ground or 87% full hydraulic capacity.  
 3. The load point is the center-line of the bucket pivot mounting pin on the arm.  
 4. \*Indicates load limited by hydraulic capacity.  
 5. 0 m = Ground.



A: Load radius  
 B: Load point height  
 C: Machine capacity

For machine capacities, subtract installed attachment and quick hitch weight from machine capacities.  
 To determine lifting capacities, apply "Rating over-side or 360 degrees" machine capacities from the table and deduct weight of installed attachment and quick hitch.  
 Optional feature may affect machine performance.

ZX890-7G Rating over-front Rating over-side or 360 degrees Unit : kg

| Conditions   | Load point height m | Load radius       |                                 |                   |                                 |                   |                                 |                   |                                 |                   |                                 |                   |                                 | At max. reach |         |        |      |
|--|---------------------|-------------------|---------------------------------|-------------------|---------------------------------|-------------------|---------------------------------|-------------------|---------------------------------|-------------------|---------------------------------|-------------------|---------------------------------|---------------|---------|--------|------|
|  |                     | 3.0 m             |                                 | 4.5 m             |                                 | 6.0 m             |                                 | 7.5 m             |                                 | 9.0 m             |                                 | 10.5 m            |                                 | meter         |         |        |      |
|  |                     | Rating over-front | Rating over-side or 360 degrees | Rating over-front | Rating over-side or 360 degrees | Rating over-front | Rating over-side or 360 degrees | Rating over-front | Rating over-side or 360 degrees | Rating over-front | Rating over-side or 360 degrees | Rating over-front | Rating over-side or 360 degrees |               |         |        |      |
| Boom<br>8.4 m H<br>Arm<br>3.7 m H<br>Counterweight<br>13 300 kg<br>Shoe 650 mm | 9.0                 |                   |                                 |                   |                                 |                   |                                 |                   |                                 | *16 350           | *16 350                         |                   |                                 | *12 240       | *12 240 | 10.1   |      |
|  | 7.5                 |                   |                                 |                   |                                 |                   |                                 |                   |                                 | *17 010           | *17 010                         | *15 370           | 13 970                          | *12 080       | *12 080 | 10.9   |      |
|  | 6.0                 |                   |                                 |                   |                                 | *25 050           | *25 050                         | *20 700           | *20 700                         | *18 220           | 17 500                          | *16 730           | 13 700                          | *12 200       | *11 830 | 11.4   |      |
|  | 4.5                 |                   |                                 |                   |                                 | *29 780           | *29 780                         | *23 250           | 21 980                          | *19 690           | 16 810                          | 17 190            | 13 310                          | *12 570       | 11 070  | 11.8   |      |
|  | 3.0                 |                   |                                 |                   |                                 | *33 680           | 28 460                          | *25 600           | 20 880                          | 21 080            | 16 150                          | 16 770            | 12 910                          | *13 230       | 10 660  | 11.9   |      |
|  | 1.5                 |                   |                                 |                   |                                 |                   |                                 | 26 730            | 20 060                          | 20 490            | 15 600                          | 16 400            | 12 560                          | *13 770       | 10 560  | 11.8   |      |
|  | 0 (Ground)          |                   |                                 |                   |                                 |                   |                                 | 26 200            | 19 570                          | 20 090            | 15 220                          | 16 140            | 12 320                          | *14 080       | 10 770  | 11.6   |      |
|  | -1.5                |                   |                                 |                   |                                 | *34 910           | 26 890                          | 25 980            | 19 360                          | 19 900            | 15 030                          | 16 040            | 12 210                          |               | *14 870 | 11 350 | 11.1 |
|  | -3.0                |                   |                                 |                   |                                 | *32 930           | 27 060                          | 26 020            | 19 400                          | 19 920            | 15 050                          |                   |                                 |               | 16 380  | 12 490 | 10.4 |
|  | -4.5                |                   |                                 |                   |                                 | *29 640           | 27 480                          | *24 160           | 19 690                          | *19 410           | 15 340                          |                   |                                 |               | *18 180 | 14 590 | 9.4  |
| -6.0   |                     |                   | *29 450                         | *29 450           | *24 260                         | *24 260           | *19 260                         | *19 260           |                                 |                   |                                 |                   |                                 | *17 670       | *17 670 | 7.9    |      |

ZX890H-7G Rating over-front Rating over-side or 360 degrees Unit : kg

| Conditions   | Load point height m | Load radius       |                                 |                   |                                 |                   |                                 |                   |                                 |                   |                                 |                   |                                 | At max. reach |         |         |         |         |         |         |        |        |         |         |      |
|--|---------------------|-------------------|---------------------------------|-------------------|---------------------------------|-------------------|---------------------------------|-------------------|---------------------------------|-------------------|---------------------------------|-------------------|---------------------------------|---------------|---------|---------|---------|---------|---------|---------|--------|--------|---------|---------|------|
|  |                     | 3.0 m             |                                 | 4.5 m             |                                 | 6.0 m             |                                 | 7.5 m             |                                 | 9.0 m             |                                 | 10.5 m            |                                 | meter         |         |         |         |         |         |         |        |        |         |         |      |
|  |                     | Rating over-front | Rating over-side or 360 degrees | Rating over-front | Rating over-side or 360 degrees | Rating over-front | Rating over-side or 360 degrees | Rating over-front | Rating over-side or 360 degrees | Rating over-front | Rating over-side or 360 degrees | Rating over-front | Rating over-side or 360 degrees |               |         |         |         |         |         |         |        |        |         |         |      |
| Boom<br>8.4 m H<br>Arm<br>3.7 m H<br>Counterweight<br>13 300 kg<br>Shoe 650 mm | 9.0                 |                   |                                 |                   |                                 |                   |                                 |                   |                                 |                   |                                 |                   |                                 | *16 240       | *16 240 |         | *12 190 | *12 190 | 10.1    |         |        |        |         |         |      |
|  | 7.5                 |                   |                                 |                   |                                 |                   |                                 |                   |                                 |                   |                                 |                   |                                 | *16 890       | *16 890 | *15 320 | 14 000  | *12 030 | *12 030 | 10.9    |        |        |         |         |      |
|  | 6.0                 |                   |                                 |                   |                                 |                   |                                 |                   |                                 |                   |                                 | *24 900           | *24 900                         | *20 570       | *20 570 | *18 090 | 17 540  | *16 610 | 13 720  | *12 150 | 11 840 | 11.4   |         |         |      |
|  | 4.5                 |                   |                                 |                   |                                 |                   |                                 |                   |                                 |                   |                                 | *29 600           | *29 600                         | *23 100       | 22 040  | *19 550 | 16 850  | 17 230  | 13 330  | *12 520 | 11 070 | 11.8   |         |         |      |
|  | 3.0                 |                   |                                 |                   |                                 |                   |                                 |                   |                                 |                   |                                 | *33 480           | 28 530                          | *25 430       | 20 920  | *20 990 | 16 170  | 16 800  | 12 920  | *13 180 | 10 660 | 11.9   |         |         |      |
|  | 1.5                 |                   |                                 |                   |                                 |                   |                                 |                   |                                 |                   |                                 |                   |                                 |               | 26 790  | 20 090  | 20 530  | 15 610  | 16 430  | 12 570  | 13 780 | 10 550 | 11.8    |         |      |
|  | 0 (Ground)          |                   |                                 |                   |                                 |                   |                                 |                   |                                 |                   |                                 |                   |                                 |               | 26 260  | 19 590  | 20 130  | 15 230  | 16 160  | 12 320  | 14 090 | 10 760 | 11.6    |         |      |
|  | -1.5                |                   |                                 |                   |                                 |                   |                                 |                   |                                 |                   |                                 |                   |                                 |               | *34 700 | 26 940  | 26 040  | 19 390  | 19 930  | 15 050  | 16 060 | 12 220 | 14 890  | 11 360  | 11.1 |
|  | -3.0                |                   |                                 |                   |                                 |                   |                                 |                   |                                 |                   |                                 |                   |                                 |               | *32 720 | 27 130  | 26 080  | 19 430  | 19 950  | 15 070  |        |        | 16 410  | 12 500  | 10.4 |
|  | -4.5                |                   |                                 |                   |                                 |                   |                                 |                   |                                 |                   |                                 |                   |                                 |               | *29 440 | 27 560  | *23 990 | 19 720  | *19 270 | 15 360  |        |        | *18 040 | 14 610  | 9.4  |
| -6.0   |                     |                   |                                 |                   | *29 240                         | *29 240           | *24 070                         | *24 070           | *19 110                         | *19 110           |                                 |                   |                                 |               |         |         |         |         |         |         |        |        | *17 520 | *17 520 | 7.9  |

ZX890LC-7G Rating over-front Rating over-side or 360 degrees Unit : kg

| Conditions  | Load point height m | Load radius       |                                 |                   |                                 |                   |                                 |                   |                                 |                   |                                 |                   |                                 | At max. reach |  |  |  |  |  |  |  |  |  |  |  |
|---|---------------------|-------------------|---------------------------------|-------------------|---------------------------------|-------------------|---------------------------------|-------------------|---------------------------------|-------------------|---------------------------------|-------------------|---------------------------------|---------------|--|--|--|--|--|--|--|--|--|--|--|
|   |                     | 3.0 m             |                                 | 4.5 m             |                                 | 6.0 m             |                                 | 7.5 m             |                                 | 9.0 m             |                                 | 10.5 m            |                                 | meter         |  |  |  |  |  |  |  |  |  |  |  |
|   |                     | Rating over-front | Rating over-side or 360 degrees | Rating over-front | Rating over-side or 360 degrees | Rating over-front | Rating over-side or 360 degrees | Rating over-front | Rating over-side or 360 degrees | Rating over-front | Rating over-side or 360 degrees | Rating over-front | Rating over-side or 360 degrees |               |  |  |  |  |  |  |  |  |  |  |  |
| Boom<br>7.1 m BE<br>Arm<br>2.95 m BE<br>Counterweight<br>13 300 kg<br>Shoe 650 mm | 9.0                 |                   |                                 |                   |                                 |                   |                                 |                   |                                 |                   |                                 |                   |                                 |               |  |  |  |  |  |  |  |  |  |  |  |
|   | 7.5                 |                   |                                 |                   |                                 |                   |                                 |                   |                                 |                   |                                 |                   |                                 |               |  |  |  |  |  |  |  |  |  |  |  |
|   | 6.0                 |                   |                                 |                   |                                 |                   |                                 |                   |                                 |                   |                                 |                   |                                 |               |  |  |  |  |  |  |  |  |  |  |  |
|   | 4.5                 |                   |                                 |                   |                                 |                   |                                 |                   |                                 |                   |                                 |                   |                                 |               |  |  |  |  |  |  |  |  |  |  |  |
|   | 3.0                 |                   |                                 |                   |                                 |                   |                                 |                   |                                 |                   |                                 |                   |                                 |               |  |  |  |  |  |  |  |  |  |  |  |
|   | 1.5                 |                   |                                 |                   |                                 |                   |                                 |                   |                                 |                   |                                 |                   |                                 |               |  |  |  |  |  |  |  |  |  |  |  |
|   | 0 (Ground)          |                   |                                 |                   |                                 |                   |                                 |                   |                                 |                   |                                 |                   |                                 |               |  |  |  |  |  |  |  |  |  |  |  |
|   | -1.5                |                   |                                 |                   |                                 |                   |                                 |                   |                                 |                   |                                 |                   |                                 |               |  |  |  |  |  |  |  |  |  |  |  |
|   | -3.0                |                   |                                 |                   |                                 |                   |                                 |                   |                                 |                   |                                 |                   |                                 |               |  |  |  |  |  |  |  |  |  |  |  |
|   | -4.5                |                   |                                 |                   |                                 |                   |                                 |                   |                                 |                   |                                 |                   |                                 |               |  |  |  |  |  |  |  |  |  |  |  |
| Boom<br>8.4 m H<br>Arm<br>3.7 m H<br>Counterweight<br>13 300 kg<br>Shoe 650 mm    | 9.0                 |                   |                                 |                   |                                 |                   |                                 |                   |                                 |                   |                                 |                   |                                 |               |  |  |  |  |  |  |  |  |  |  |  |
|   | 7.5                 |                   |                                 |                   |                                 |                   |                                 |                   |                                 |                   |                                 |                   |                                 |               |  |  |  |  |  |  |  |  |  |  |  |
|   | 6.0                 |                   |                                 |                   |                                 |                   |                                 |                   |                                 |                   |                                 |                   |                                 |               |  |  |  |  |  |  |  |  |  |  |  |
|   | 4.5                 |                   |                                 |                   |                                 |                   |                                 |                   |                                 |                   |                                 |                   |                                 |               |  |  |  |  |  |  |  |  |  |  |  |
|   | 3.0                 |                   |                                 |                   |                                 |                   |                                 |                   |                                 |                   |                                 |                   |                                 |               |  |  |  |  |  |  |  |  |  |  |  |
|   | 1.5                 |                   |                                 |                   |                                 |                   |                                 |                   |                                 |                   |                                 |                   |                                 |               |  |  |  |  |  |  |  |  |  |  |  |
|   | 0 (Ground)          |                   |                                 |                   |                                 |                   |                                 |                   |                                 |                   |                                 |                   |                                 |               |  |  |  |  |  |  |  |  |  |  |  |
|   | -1.5                |                   |                                 |                   |                                 |                   |                                 |                   |                                 |                   |                                 |                   |                                 |               |  |  |  |  |  |  |  |  |  |  |  |
|   | -3.0                |                   |                                 |                   |                                 |                   |                                 |                   |                                 |                   |                                 |                   |                                 |               |  |  |  |  |  |  |  |  |  |  |  |
|   | -4.5                |                   |                                 |                   |                                 |                   |                                 |                   |                                 |                   |                                 |                   |                                 |               |  |  |  |  |  |  |  |  |  |  |  |
| -6.0  |                     |                   |                                 |                   |                                 |                   |                                 |                   |                                 |                   |                                 |                   |                                 |               |  |  |  |  |  |  |  |  |  |  |  |

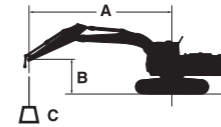
ZX890LCH-7G Rating over-front Rating over-side or 360 degrees Unit : kg

| Conditions  | Load point height m | Load radius       |                                 |                   |                                 |                   |                                 |                   |                                 |                   |                                 |                   |                                 | At max. reach |  |  |  |  |  |  |  |  |  |  |  |
|---|---------------------|-------------------|---------------------------------|-------------------|---------------------------------|-------------------|---------------------------------|-------------------|---------------------------------|-------------------|---------------------------------|-------------------|---------------------------------|---------------|--|--|--|--|--|--|--|--|--|--|--|
|   |                     | 3.0 m             |                                 | 4.5 m             |                                 | 6.0 m             |                                 | 7.5 m             |                                 | 9.0 m             |                                 | 10.5 m            |                                 | meter         |  |  |  |  |  |  |  |  |  |  |  |
|   |                     | Rating over-front | Rating over-side or 360 degrees | Rating over-front | Rating over-side or 360 degrees | Rating over-front | Rating over-side or 360 degrees | Rating over-front | Rating over-side or 360 degrees | Rating over-front | Rating over-side or 360 degrees | Rating over-front | Rating over-side or 360 degrees |               |  |  |  |  |  |  |  |  |  |  |  |
| Boom<br>7.1 m BE<br>Arm<br>2.95 m BE<br>Counterweight<br>13 300 kg<br>Shoe 650 mm | 9.0                 |                   |                                 |                   |                                 |                   |                                 |                   |                                 |                   |                                 |                   |                                 |               |  |  |  |  |  |  |  |  |  |  |  |
|   | 7.5                 |                   |                                 |                   |                                 |                   |                                 |                   |                                 |                   |                                 |                   |                                 |               |  |  |  |  |  |  |  |  |  |  |  |
|   | 6.0                 |                   |                                 |                   |                                 |                   |                                 |                   |                                 |                   |                                 |                   |                                 |               |  |  |  |  |  |  |  |  |  |  |  |
|   | 4.5                 |                   |                                 |                   |                                 |                   |                                 |                   |                                 |                   |                                 |                   |                                 |               |  |  |  |  |  |  |  |  |  |  |  |
|   | 3.0                 |                   |                                 |                   |                                 |                   |                                 |                   |                                 |                   |                                 |                   |                                 |               |  |  |  |  |  |  |  |  |  |  |  |
|   | 1.5                 |                   |                                 |                   |                                 |                   |                                 |                   |                                 |                   |                                 |                   |                                 |               |  |  |  |  |  |  |  |  |  |  |  |
|   | 0 (Ground)          |                   |                                 |                   |                                 |                   |                                 |                   |                                 |                   |                                 |                   |                                 |               |  |  |  |  |  |  |  |  |  |  |  |
|   | -1.5                |                   |                                 |                   |                                 |                   |                                 |                   |                                 |                   |                                 |                   |                                 |               |  |  |  |  |  |  |  |  |  |  |  |
|   | -3.0                |                   |                                 |                   |                                 |                   |                                 |                   |                                 |                   |                                 |                   |                                 |               |  |  |  |  |  |  |  |  |  |  |  |
|   | -4.5                |                   |                                 |                   |                                 |                   |                                 |                   |                                 |                   |                                 |                   |                                 |               |  |  |  |  |  |  |  |  |  |  |  |
| Boom<br>8.4 m H<br>Arm<br>3.7 m H<br>Counterweight<br>13 300 kg<br>Shoe 650 mm    | 9.0                 |                   |                                 |                   |                                 |                   |                                 |                   |                                 |                   |                                 |                   |                                 |               |  |  |  |  |  |  |  |  |  |  |  |
|   | 7.5                 |                   |                                 |                   |                                 |                   |                                 |                   |                                 |                   |                                 |                   |                                 |               |  |  |  |  |  |  |  |  |  |  |  |
|   | 6.0                 |                   |                                 |                   |                                 |                   |                                 |                   |                                 |                   |                                 |                   |                                 |               |  |  |  |  |  |  |  |  |  |  |  |
|   | 4.5                 |                   |                                 |                   |                                 |                   |                                 |                   |                                 |                   |                                 |                   |                                 |               |  |  |  |  |  |  |  |  |  |  |  |
|   | 3.0                 |                   |                                 |                   |                                 |                   |                                 |                   |                                 |                   |                                 |                   |                                 |               |  |  |  |  |  |  |  |  |  |  |  |
|   | 1.5                 |                   |                                 |                   |                                 |                   |                                 |                   |                                 |                   |                                 |                   |                                 |               |  |  |  |  |  |  |  |  |  |  |  |
|   | 0 (Ground)          |                   |                                 |                   |                                 |                   |                                 |                   |                                 |                   |                                 |                   |                                 |               |  |  |  |  |  |  |  |  |  |  |  |
|   | -1.5                |                   |                                 |                   |                                 |                   |                                 |                   |                                 |                   |                                 |                   |                                 |               |  |  |  |  |  |  |  |  |  |  |  |
|   | -3.0                |                   |                                 |                   |                                 |                   |                                 |                   |                                 |                   |                                 |                   |                                 |               |  |  |  |  |  |  |  |  |  |  |  |
|   | -4.5                |                   |                                 |                   |                                 |                   |                                 |                   |                                 |                   |                                 |                   |                                 |               |  |  |  |  |  |  |  |  |  |  |  |
| -6.0  |                     |                   |                                 |                   |                                 |                   |                                 |                   |                                 |                   |                                 |                   |                                 |               |  |  |  |  |  |  |  |  |  |  |  |



# MACHINE CAPACITIES

- Notes:
1. Ratings are based on ISO 10567 : 2007.
  2. Machine capacity does not exceed 75% of tipping load with the machine on firm, level ground or 87% full hydraulic capacity.
  3. The load point is the center-line of the bucket pivot mounting pin on the arm.
  4. \*Indicates load limited by hydraulic capacity.
  5. 0 m = Ground.



A: Load radius  
 B: Load point height  
 C: Machine capacity

For machine capacities, subtract installed attachment and quick hitch weight from machine capacities.  
 To determine lifting capacities, apply "Rating over-side or 360 degrees" machine capacities from the table and deduct weight of installed attachment and quick hitch.  
 Optional feature may affect machine performance.

## ZX890LCR-7G

Rating over-front   Rating over-side or 360 degrees   Unit : kg

| Conditions   | Load point height m | Load radius |         |         |         |         |         |         |         |         |         |         | At max. reach |         |         |      |
|--|---------------------|-------------|---------|---------|---------|---------|---------|---------|---------|---------|---------|---------|---------------|---------|---------|------|
|  |                     | 3.0 m       |         | 4.5 m   |         | 6.0 m   |         | 7.5 m   |         | 9.0 m   |         | 10.5 m  |               | meter   |         |      |
|  |                     |             |         |         |         |         |         |         |         |         |         |         |               |         |         |      |
| Boom 7.1 m BER<br>Arm 2.95 m BER<br>Counterweight 13 300 kg<br>Shoe 650 mm | 9.0                 |             |         |         |         |         |         |         |         |         |         |         |               |         |         |      |
|  | 7.5                 |             |         |         |         |         | *21 750 | *21 750 |         |         |         |         |               | *16 660 | *16 660 | 8.9  |
|  | 6.0                 |             |         |         |         | *26 890 | *26 890 | *23 170 | *23 170 | *21 180 | 18 200  |         |               | *16 390 | *16 390 | 9.5  |
|  | 4.5                 |             |         |         |         | *31 010 | *31 010 | *25 220 | 23 410  | *22 040 | 17 730  |         |               | *16 610 | 15 120  | 9.9  |
|  | 3.0                 |             |         |         |         | *34 730 | 30 970  | *27 250 | 22 420  | *23 040 | 17 180  |         |               | *17 290 | 14 450  | 10.1 |
|  | 1.5                 |             |         |         |         | *36 770 | 29 730  | *28 650 | 21 610  | *23 730 | 16 710  |         |               | *18 530 | 14 340  | 10.0 |
|  | 0 (Ground)          |             |         |         |         | *36 890 | 29 090  | *29 000 | 21 100  | *23 670 | 16 390  |         |               | *20 570 | 14 810  | 9.7  |
|  | -1.5                |             |         | *42 330 | *42 330 | *35 250 | 28 900  | *27 960 | 20 890  | *22 120 | 16 320  |         |               | *21 580 | 16 050  | 9.1  |
|  | -3.0                | *41 880     | *41 880 | *39 690 | *39 690 | *31 580 | 29 080  | *24 790 | 21 040  |         |         |         |               | *21 270 | 18 640  | 8.2  |
|  | -4.5                |             |         | *30 900 | *30 900 | *24 390 | *24 390 |         |         |         |         |         |               | *19 710 | *19 710 | 6.9  |
|  | -6.0                |             |         |         |         |         |         |         |         |         |         |         |               |         |         |      |
| Boom 7.1 m BER<br>Arm 3.7 m R<br>Counterweight 13 300 kg<br>Shoe 650 mm    | 9.0                 |             |         |         |         |         |         |         |         |         |         |         |               |         |         |      |
|  | 7.5                 |             |         |         |         |         |         | *19 490 | *19 490 | *14 860 | *14 860 |         |               | *10 790 | *10 790 | 9.5  |
|  | 6.0                 |             |         |         |         |         |         | *21 670 | *21 670 | *19 100 | 18 730  |         |               | *10 780 | *10 780 | 10.1 |
|  | 4.5                 |             |         | *39 260 | *39 260 | *28 980 | *28 980 | *23 970 | *23 970 | *21 110 | 18 200  |         |               | *11 060 | *11 060 | 10.5 |
|  | 3.0                 |             |         |         |         | *33 260 | 32 070  | *26 360 | 23 060  | *22 410 | 17 610  | *13 710 | *13 710       | *11 650 | *11 650 | 10.6 |
|  | 1.5                 |             |         |         |         | *36 220 | 30 580  | *28 240 | 22 160  | *23 470 | 17 060  | *13 680 | 13 610        | *12 620 | *12 620 | 10.6 |
|  | 0 (Ground)          |             |         |         |         | *37 340 | 29 670  | *29 180 | 21 510  | *23 940 | 16 640  |         |               | *14 140 | 13 850  | 10.3 |
|  | -1.5                |             |         |         |         | *36 660 | 29 250  | *28 880 | 21 150  | *23 400 | 16 420  |         |               | *16 630 | 14 810  | 9.7  |
|  | -3.0                |             |         | *44 080 | *44 080 | *34 090 | 29 230  | *26 930 | 21 090  |         |         |         |               | *21 140 | 16 760  | 8.9  |
|  | -4.5                |             |         | *36 910 | *36 910 | *28 910 | *28 910 | *21 930 | 21 440  |         |         |         |               | *21 120 | 20 860  | 7.7  |
|  | -6.0                |             |         |         |         |         |         |         |         |         |         |         |               |         |         |      |
| Boom 8.4 m R<br>Arm 3.7 m R<br>Counterweight 13 300 kg<br>Shoe 650 mm      | 9.0                 |             |         |         |         |         |         |         |         | *16 240 | *16 240 |         |               | *12 190 | *12 190 | 10.1 |
|  | 7.5                 |             |         |         |         |         |         |         |         | *16 890 | *16 890 | *15 320 | 14 310        | *12 030 | *12 030 | 10.9 |
|  | 6.0                 |             |         |         |         | *24 900 | *24 900 | *20 570 | *20 570 | *18 090 | 17 910  | *16 610 | 14 020        | *12 150 | 12 120  | 11.4 |
|  | 4.5                 |             |         |         |         | *29 600 | *29 600 | *23 100 | 22 500  | *19 550 | 17 220  | *17 400 | 13 630        | *12 520 | 11 340  | 11.8 |
|  | 3.0                 |             |         |         |         | *33 480 | 29 170  | *25 430 | 21 390  | *20 990 | 16 540  | *18 240 | 13 230        | *13 180 | 10 920  | 11.9 |
|  | 1.5                 |             |         |         |         |         |         | *27 090 | 20 560  | *22 120 | 15 980  | *18 920 | 12 870        | *14 180 | 10 820  | 11.8 |
|  | 0 (Ground)          |             |         |         |         |         |         | *27 850 | 20 060  | *22 740 | 15 600  | 18 820  | 12 620        | *15 670 | 11 040  | 11.6 |
|  | -1.5                |             |         |         |         | *34 700 | 27 580  | *27 660 | 19 860  | *22 680 | 15 420  | 18 710  | 12 520        | *17 320 | 11 640  | 11.1 |
|  | -3.0                |             |         |         |         | *32 720 | 27 770  | *26 480 | 19 900  | *21 730 | 15 440  |         |               | *17 920 | 12 810  | 10.4 |
|  | -4.5                |             |         |         |         | *29 440 | 28 200  | *23 990 | 20 190  | *19 270 | 15 730  |         |               | *18 040 | 14 960  | 9.4  |
|  | -6.0                |             |         | *29 240 | *29 240 | *24 070 | *24 070 | *19 110 | *19 110 |         |         |         |               | *17 520 | *17 520 | 7.9  |

# MEMO

---

---

---

---

---

---

---

---

---

---

---

---

---

---

---

---

---

---

---

---

---

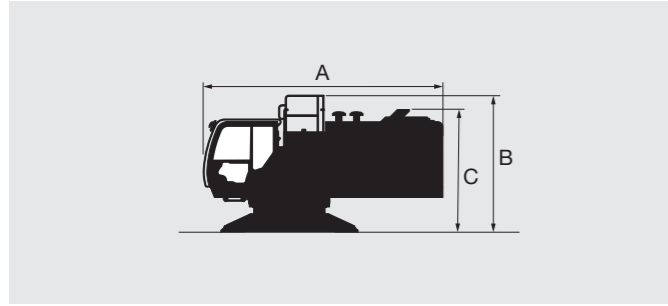
---

---

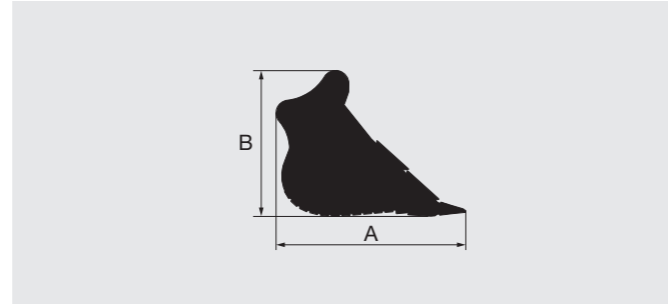


# TRANSPORTATION

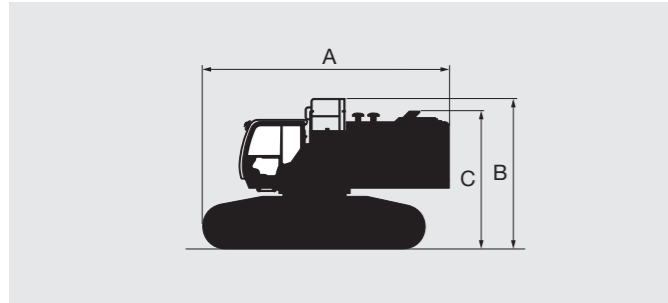
## UPPERSTRUCTURE



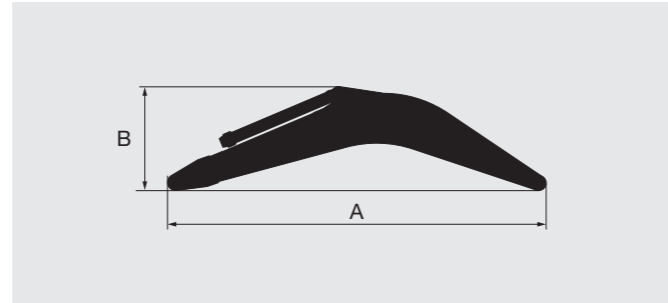
## BUCKET



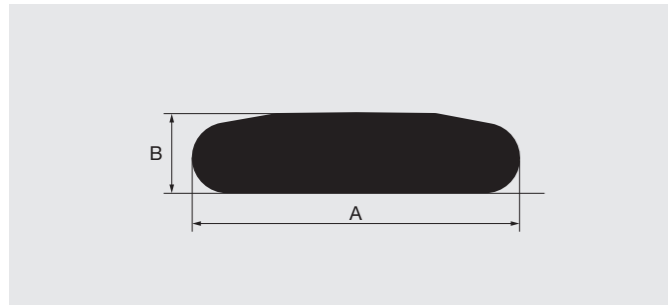
## BASIC MACHINE (WITHOUT COUNTERWEIGHT)



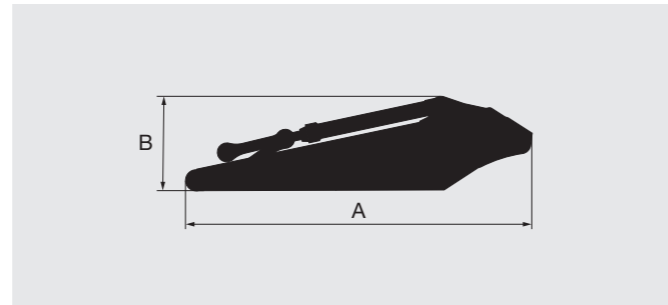
## BOOM



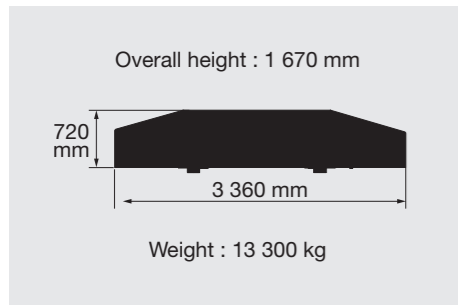
## SIDE FRAME



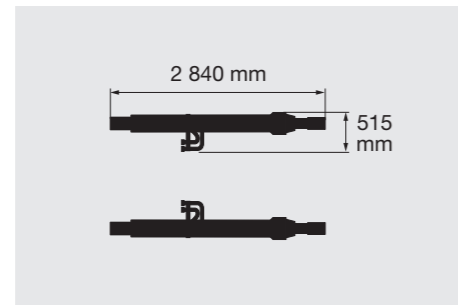
## ARM



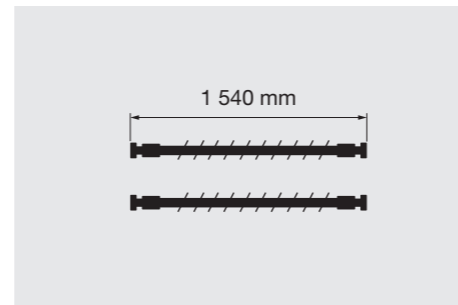
## COUNTERWEIGHT



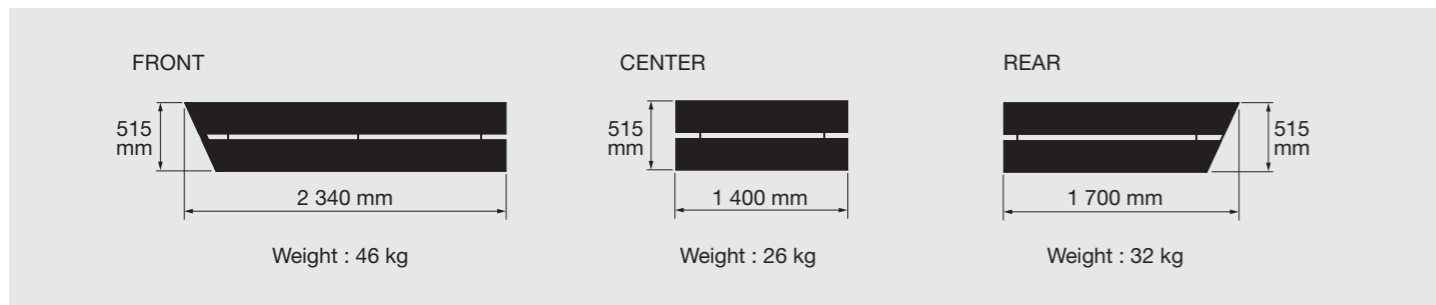
## BOOM CYLINDERS 550 kg X 2 Overall height: 410 mm



## HOSE OF BOOM CYLINDERS 9 kg X 2 / 13 kg X 2



## LEFT SIDEWALK Overall height: 150 mm



## UPPERSTRUCTURE

| Fixed gauge | A (mm) | B (mm) | C (mm) | Overall width (mm) | Weight (kg) |
|-------------|--------|--------|--------|--------------------|-------------|
| ZX890-7G    | 6 040  | 3 370  | 2 955  | 3 420              | 27 500      |
| ZX890LC-7G  | 6 040  | 3 370  | 2 955  | 3 420              | 27 500      |
| ZX890H-7G   | 6 040  | 3 370  | 2 955  | 3 420              | 27 700      |
| ZX890LCH-7G | 6 040  | 3 370  | 2 955  | 3 420              | 27 700      |
| ZX890LCR-7G | 6 040  | 3 370  | 2 955  | 3 420              | 27 700      |

## BASIC MACHINE (WITHOUT COUNTERWEIGHT)

| Fixed gauge | Shoe width (mm) | A (mm) | B (mm) | C (mm) | Overall width (mm) | Weight (kg) |
|-------------|-----------------|--------|--------|--------|--------------------|-------------|
| ZX890-7G    | 650             | 6 770  | 4 300  | 3 890  | 3 480              | 50 100      |
|             | 750             | 6 770  | 4 300  | 3 890  | 3 580              | 50 800      |
| ZX890LC-7G  | 650             | 7 080  | 4 300  | 3 890  | 3 480              | 51 900      |
|             | 750             | 7 080  | 4 300  | 3 890  | 3 580              | 52 600      |
| ZX890H-7G   | 650             | 6 770  | 4 300  | 3 890  | 3 480              | 50 800      |
| ZX890LCH-7G | 650             | 7 080  | 4 300  | 3 890  | 3 480              | 52 700      |
| ZX890LCR-7G | 650             | 7 080  | 4 300  | 3 890  | 3 480              | 52 970      |

Notes : Undercarriage retracted.

## SIDE FRAME

| Fixed gauge | Shoe width (mm) | A (mm) | B (mm) | Overall width (mm) | Weight (kg) |
|-------------|-----------------|--------|--------|--------------------|-------------|
| ZX890-7G    | 650             | 5 840  | 1 500  | 1 330              | 11 200      |
|             | 750             | 5 840  | 1 500  | 1 330              | 11 500      |
| ZX890LC-7G  | 650             | 6 360  | 1 500  | 1 330              | 12 100      |
|             | 750             | 6 360  | 1 500  | 1 330              | 12 400      |
| ZX890H-7G   | 650             | 6 360  | 1 500  | 1 425              | 12 900      |
| ZX890LCH-7G | 650             | 5 840  | 1 500  | 1 330              | 11 400      |
| ZX890LCH-7G | 650             | 6 360  | 1 500  | 1 330              | 12 400      |
| ZX890LCR-7G | 650             | 6 360  | 1 500  | 1 330              | 12 700      |

## BUCKET

| Bucket      | Bucket Capacity ISO heaped (m³) | A (mm) | B (mm) | Overall width (mm) | Weight (kg) |
|-------------|---------------------------------|--------|--------|--------------------|-------------|
| Hoe bucket  | 2.9                             | 2 210  | 1 910  | 1 780              | 2 700       |
|             | 3.5                             | 2 210  | 1 910  | 2 040              | 2 950       |
|             | 4.5                             | 2 320  | 2 000  | 2 190              | 3 970       |
|             | 6.0                             | 2 640  | 2 140  | 2 530              | 5 380       |
| Rock bucket | 3.5                             | 2 240  | 1 920  | 1 890              | 3 790       |
|             | 3.7                             | 2 240  | 1 920  | 1 970              | 3 900       |
|             | 4.3                             | 2 310  | 2 000  | 2 110              | 4 270       |
| R bucket    | 5.0                             | 2 510  | 2 020  | 2 260              | 4 660       |
|             | 3.5                             | 2 240  | 1 920  | 1 890              | 4 870       |
|             | 3.7                             | 2 240  | 1 920  | 1 970              | 4 970       |
|             | 4.3                             | 2 310  | 2 000  | 2 110              | 5 690       |

## BOOM

| Boom      | A (mm) | B (mm) | Overall width (mm) | Weight (kg) |
|-----------|--------|--------|--------------------|-------------|
| 7.1 m BE  | 7 490  | 2 700  | 1 450              | 7 670       |
| 8.4 m H   | 8 780  | 2 500  | 1 450              | 8 200       |
| 7.1 m BER | 7 490  | 2 700  | 1 450              | 7 680       |
| 8.4 m R   | 8 780  | 2 500  | 1 450              | 8 270       |

## ARM

| Arm        | A (mm) | B (mm) | Overall width (mm) | Weight (kg) |
|------------|--------|--------|--------------------|-------------|
| 2.95 m BE  | 4 460  | 1 660  | 850                | 4 650       |
| 3.7 m H    | 5 290  | 1 420  | 820                | 4 510       |
| 2.95 m BER | 4 460  | 1 660  | 850                | 4 760       |
| 3.7 m R    | 5 290  | 1 420  | 820                | 4 610       |



● : Standard equipment ○ : Optional equipment - : Not applicable

| ENGINE   | ZX890-7G | ZX890 LC-7G | ZX890 H-7G | ZX890 LCH-7G | ZX890 LCR-7G |
|--|----------|-------------|------------|--------------|--------------|
| Alternator 60 A  | ●        | ●           | ●          | ●            | ●            |
| Auto idle system   | ●        | ●           | ●          | ●            | ●            |
| Auto shut-down control   | ●        | ●           | ●          | ●            | ●            |
| Cartridge-type engine oil filter   | ●        | ●           | ●          | ●            | ●            |
| Cartridge-type fuel main filter  | ●        | ●           | ●          | ●            | ●            |
| Cartridge-type fuel pre-filter with water separator                              | ●        | ●           | ●          | ●            | ●            |
| ConSite OIL (sensor)*1   | ○        | ○           | ○          | ○            | ○            |
| Dry-type air filter with evacuator valve (with air filter restriction indicator) | ●        | ●           | ●          | ●            | ●            |
| Dust-proof net   | ●        | ●           | ●          | ●            | ●            |
| ECO/PWR/HP mode control  | ●        | ●           | ●          | ●            | ●            |
| Electrical fuel feed pump  | ●        | ●           | ●          | ●            | ●            |
| Engine oil drain coupler   | ●        | ●           | ●          | ●            | ●            |
| Expansion tank   | ●        | ●           | ●          | ●            | ●            |
| Fan guard  | ●        | ●           | ●          | ●            | ●            |
| Isolation-mounted engine   | ●        | ●           | ●          | ●            | ●            |
| Pre-cleaner  | ○        | ○           | ○          | ○            | ○            |
| Radiator, oil cooler and intercooler   | ●        | ●           | ●          | ●            | ●            |
| Reversible fan   | ○        | ○           | ○          | ○            | ○            |

| HYDRAULIC SYSTEM                     | ZX890-7G | ZX890 LC-7G | ZX890 H-7G | ZX890 LCH-7G | ZX890 LCR-7G |
|--------------------------------------|----------|-------------|------------|--------------|--------------|
| Auto power lift                      | ●        | ●           | ●          | ●            | ●            |
| Boom mode selector system            | ●        | ●           | ●          | ●            | ●            |
| ConSite OIL (sensor)*1               | ○        | ○           | ○          | ○            | ○            |
| Control valve with main relief valve | ●        | ●           | ●          | ●            | ●            |
| Drain filter                         | ●        | ●           | ●          | ●            | ●            |
| Engine speed sensing system          | ●        | ●           | ●          | ●            | ●            |
| Extra port for control valve         | ●        | ●           | ●          | ●            | ●            |
| High mesh full flow filter           | ●        | ●           | ●          | ●            | ●            |
| Pilot filter                         | ●        | ●           | ●          | ●            | ●            |
| Power boost                          | ●        | ●           | ●          | ●            | ●            |
| Shockless valve in pilot circuit     | ●        | ●           | ●          | ●            | ●            |
| Suction filter                       | ●        | ●           | ●          | ●            | ●            |
| Two extra port for control valve     | ●        | ●           | ●          | ●            | ●            |
| Work mode selector                   | ●        | ●           | ●          | ●            | ●            |

| CAB  | ZX890-7G | ZX890 LC-7G | ZX890 H-7G | ZX890 LCH-7G | ZX890 LCR-7G |
|--|----------|-------------|------------|--------------|--------------|
| Auto control air conditioner   | ●        | ●           | ●          | ●            | ●            |
| Bluetooth® radio   | ●        | ●           | ●          | ●            | ●            |
| Cab : All-weather sound suppressed steel cab                                     | ●        | ●           | ●          | ●            | ●            |
| Cab : CRES VII (center pillar reinforced structure) cab                          | ●        | ●           | ●          | ●            | ●            |
| Console height adjustment  | ●        | ●           | ●          | ●            | ●            |
| Drink holder with hot and cool function  | ●        | ●           | ●          | ●            | ●            |
| Electric double horn   | ●        | ●           | ●          | ●            | ●            |
| Engine shut-off switch   | ●        | ●           | ●          | ●            | ●            |
| Evacuation hammer  | ●        | ●           | ●          | ●            | ●            |
| Fire extinguisher bracket  | ○        | ○           | ○          | ○            | ○            |
| Floor mat  | ●        | ●           | ●          | ●            | ●            |
| Footrest   | ●        | ●           | ●          | ●            | ●            |
| Front guard : OPG front guard Level II (ISO 10262 : 1998) compliant              | ○        | ○           | ○          | ○            | ○            |
| Front window washer (1 points)   | ●        | ●           | ●          | ●            | ●            |
| Glove compartment  | ●        | ●           | ●          | ●            | ●            |
| Hands-free calling device  | ○        | ○           | ○          | ○            | ○            |
| Hot and cool box   | ●        | ●           | ●          | ●            | ●            |
| Intermittent windshield wipers   | ●        | ●           | ●          | ●            | ●            |
| Key cylinder light   | ●        | ●           | ●          | ●            | ●            |
| Laminated round glass front window   | ●        | ●           | -          | -            | -            |
| Laminated straight glass front window  | -        | -           | ●          | ●            | ●            |
| LED room light   | ●        | ●           | ●          | ●            | ●            |
| Magazine rack  | ●        | ●           | ●          | ●            | ●            |
| Pilot shut-off lever   | ●        | ●           | ●          | ●            | ●            |
| Power outlet 12V   | ○        | ○           | ○          | ○            | ○            |
| Power outlet 24V   | ●        | ●           | ●          | ●            | ●            |
| Rain guard (without OPG front guard)   | ○        | ○           | ○          | ○            | ○            |
| Rear tray  | ●        | ●           | ●          | ●            | ●            |
| Retractable seat belt  | ●        | ●           | ●          | ●            | ●            |
| Rubber radio antenna   | ●        | ●           | ●          | ●            | ●            |
| Seat : air suspension seat with heater   | ○        | ○           | ○          | ○            | ○            |
| Seat : mechanical suspension seat  | ●        | ●           | ●          | ●            | ●            |
| Seat adjustment part : backrest, armrest, height and angle, slide forward / back | ●        | ●           | ●          | ●            | ●            |
| Seat belt reminder   | ●        | ●           | ●          | ●            | ●            |
| Short wrist control levers   | ●        | ●           | ●          | ●            | ●            |
| Smartphone holder  | ●        | ●           | ●          | ●            | ●            |
| Sunscreen roller type (multi-use front or side and rear window)                  | ○        | ○           | ○          | ○            | ○            |
| Top guard : OPG top guard Level II (ISO 10262 : 1998) compliant                  | ○        | ○           | ○          | ○            | ○            |
| Transparent roof with slide curtain  | ●        | ●           | ●          | ●            | ●            |
| USB power supply   | ●        | ●           | ●          | ●            | ●            |
| Windows on leftside can be opened  | ●        | ●           | ●          | ●            | ●            |
| 2 speakers   | ●        | ●           | ●          | ●            | ●            |
| 6 fluid-filled elastic mounts  | ●        | ●           | ●          | ●            | ●            |
| 8 inch monitor   | ●        | ●           | ●          | ●            | ●            |

| MONITOR SYSTEM  | ZX890-7G | ZX890 LC-7G | ZX890 H-7G | ZX890 LCH-7G | ZX890 LCR-7G |
|---|----------|-------------|------------|--------------|--------------|
| Alarms : overheating, engine warning, engine oil pressure, alternator, minimum fuel level, hydraulic filter restriction, air filter restriction, work mode, overload, etc | ●        | ●           | ●          | ●            | ●            |
| Alarm buzzers : overheating, engine oil pressure, overload, etc   | ●        | ●           | ●          | ●            | ●            |
| Display of meters : water temperature, hour, fuel rate, clock, etc  | ●        | ●           | ●          | ●            | ●            |
| Other displays : work mode, auto-idle, glow, rear view monitor, side view monitor, operating conditions, etc  | ●        | ●           | ●          | ●            | ●            |
| 35 languages selection  | ●        | ●           | ●          | ●            | ●            |

| LIGHTS  | ZX890-7G | ZX890 LC-7G | ZX890 H-7G | ZX890 LCH-7G | ZX890 LCR-7G |
|---|----------|-------------|------------|--------------|--------------|
| Additional boom LED light with cover              | ○        | ○           | ○          | ○            | ○            |
| Additional cab roof front 2 LED lights            | ○        | ○           | ○          | ○            | ○            |
| Additional cab roof front 4 LED lights            | ○        | ○           | ○          | ○            | ○            |
| Additional cab roof rear 1 LED light              | ○        | ○           | ○          | ○            | ○            |
| LED lights for camera (side and rear view camera) | ○        | ○           | ○          | ○            | ○            |
| Rotating lamp                                     | ○        | ○           | ○          | ○            | ○            |
| 2 working LED lights                              | ●        | ●           | ●          | ●            | ●            |

| UPPER STRUCTURE  | ZX890-7G | ZX890 LC-7G | ZX890 H-7G | ZX890 LCH-7G | ZX890 LCR-7G |
|--|----------|-------------|------------|--------------|--------------|
| AERIAL ANGLE (270-degree view camera system)           | ○        | ○           | ○          | ○            | ○            |
| Auto-grease lubricator (without bucket and link pins)  | ○        | ○           | ○          | ○            | ○            |
| Batteries  | ●        | ●           | ●          | ●            | ●            |
| Body top handrail                                      | ●        | ●           | ●          | ●            | ●            |
| Counterweight 13 300 kg                                | ●        | ●           | ●          | ●            | ●            |
| Electric fuel refilling pump with auto stop and filter | ○        | ○           | ○          | ○            | ○            |
| Electrical grease pump with hose-reel                  | ○        | ○           | ○          | ○            | ○            |
| Fuel level float                                       | ●        | ●           | ●          | ●            | ●            |
| Hydraulic oil level gauge                              | ●        | ●           | ●          | ●            | ●            |
| Ladder   | ●        | ●           | ●          | ●            | ●            |
| Lockable fuel refilling cap                            | ●        | ●           | ●          | ●            | ●            |
| Lockable machine covers                                | ●        | ●           | ●          | ●            | ●            |
| Lockable tool box                                      | ●        | ●           | ●          | ●            | ●            |
| Platform handrail                                      | ●        | ●           | ●          | ●            | ●            |
| Right side and rear view camera                        | ●        | ●           | ●          | ●            | ●            |
| Sidewalk (cab side)                                    | ●        | ●           | ●          | ●            | ●            |
| Skid-resistant plates and handrails                    | ●        | ●           | ●          | ●            | ●            |
| Swing parking brake                                    | ●        | ●           | ●          | ●            | ●            |
| Undercover   | ●        | ●           | ●          | ●            | ●            |
| Utility space  | ●        | ●           | ●          | ●            | ●            |
| 2 way disconnect switch                                | ●        | ●           | ●          | ●            | ●            |

● : Standard equipment ○ : Optional equipment - : Not applicable

| UNDERCARRIAGE                         | ZX890-7G | ZX890 LC-7G | ZX890 H-7G | ZX890 LCH-7G | ZX890 LCR-7G |
|---------------------------------------|----------|-------------|------------|--------------|--------------|
| Bolt-on sprocket                      | ●        | ●           | ●          | ●            | ●            |
| Full track guard                      | -        | -           | ●          | ●            | ●            |
| Hydraulic track adjuster              | ●        | ●           | ●          | ●            | ●            |
| Idler track guard                     | ●        | ●           | ●          | ●            | ●            |
| Lower rollers (single flange)         | ●        | ●           | ●          | ●            | ●            |
| Lower rollers (double flange)         | -        | -           | ○          | ○            | ○            |
| Reinforced track links with pin seals | ●        | ●           | ●          | ●            | ●            |
| Shoe : 650 mm double grouser          | ●        | ●           | ●          | ●            | ●            |
| Shoe : 750 mm double grouser          | ○        | ○           | -          | -            | -            |
| Shoe : 900 mm double grouser          | -        | ○           | -          | -            | -            |
| Track undercover                      | ○        | ○           | ○          | ○            | ○            |
| Travel direction mark on track frame  | ●        | ●           | ●          | ●            | ●            |
| Travel motor covers                   | ●        | ●           | ●          | ●            | ●            |
| Travel parking brake                  | ●        | ●           | ●          | ●            | ●            |
| Upper rollers                         | ●        | ●           | ●          | ●            | ●            |
| 2 track guards (each side)            | ●        | ●           | -          | -            | -            |

| FRONT ATTACHMENTS   | ZX890-7G | ZX890 LC-7G | ZX890 H-7G | ZX890 LCH-7G | ZX890 LCR-7G |
|---|----------|-------------|------------|--------------|--------------|
| Arm 2.95 m BE   | ○        | ○           | ○          | ○            | -            |
| Arm 2.95 m BER  | -        | -           | -          | -            | ○            |
| Arm 3.7 m H   | ●        | ●           | ●          | ●            | -            |
| Arm 3.7 m R   | -        | -           | -          | -            | ●            |
| Boom 7.1 m BE   | ○        | ○           | ○          | ○            | -            |
| Boom 7.1m BER   | -        | -           | -          | -            | ○            |
| Boom 8.4 m H  | ●        | ●           | ●          | ●            | -            |
| Boom 8.4m R   | -        | -           | -          | -            | ●            |
| Bucket 3.5 m <sup>3</sup> (ISO 7451 : 2007 heaped)                                  | ●        | ●           | -          | -            | -            |
| Rock Bucket 3.5 m <sup>3</sup> (ISO 7451 : 2007 heaped) with dual type side shrouds | -        | -           | ●          | ●            | -            |
| R-Bucket 3.5 m <sup>3</sup> (ISO 7451 : 2007 heaped) with dual type side shrouds    | -        | -           | -          | -            | ●            |
| Centralized lubrication system  | ●        | ●           | ●          | ●            | ●            |
| Damage prevention plate and square bars   | -        | -           | ●          | ●            | ●            |
| Dirt seal on all bucket pins  | ●        | ●           | ●          | ●            | ●            |
| Flanged pin   | ●        | ●           | ●          | ●            | ●            |
| Link B  | ●        | ●           | ●          | ●            | -            |
| Monolithically cast bucket link A   | ●        | ●           | ●          | ●            | -            |
| Reinforced link A   | -        | -           | -          | -            | ●            |
| Reinforced link B   | -        | -           | -          | -            | ●            |

| MISCELLANEOUS                  | ZX890-7G | ZX890 LC-7G | ZX890 H-7G | ZX890 LCH-7G | ZX890 LCR-7G |
|--------------------------------|----------|-------------|------------|--------------|--------------|
| ConSite                        | ○        | ○           | ○          | ○            | ○            |
| Global e-Service               | ●        | ●           | ●          | ●            | ●            |
| Onboard information controller | ●        | ●           | ●          | ●            | ●            |
| Standard tool kit              | ●        | ●           | ●          | ●            | ●            |
| Theft prevention system*2      | ○        | ○           | ○          | ○            | ○            |

Standard and optional equipment may vary by country, so please consult authorized dealer for details.

\*1 Engine oil and hydraulic oil monitoring sensor.

\*2 Hitachi Construction Machinery cannot be held liable for theft, any system will just minimize the risk of theft.



---

Before using a machine with a satellite or tele-communication system, please make sure that the satellite or tele-communication system complies with local regulations, safety standards and legal requirements. If not so, please make modifications accordingly.

---

These specifications are subject to change without notice.

Illustrations and photos show the standard models, and may or may not include optional equipment, accessories, and all standard equipment with some differences in color and features.

Before using, please read and understand the Operator's Manual for proper operation.

