

ZAXIS-7G series

HITACHI

Reliable Solutions

ZAXIS490



HYDRAULIC EXCAVATOR

Model code	: ZX490-7G / ZX490LC-7G	ZX490H-7G / ZX490LCH-7G	ZX490LCR-7G
Engine rated power	: 296 kW (397HP)	296 kW (397HP)	296 kW (397HP)
Operating weight	: 46 500 - 49 700 kg	47 000 - 48 600 kg	48 400 - 48 900 kg
Bucket capacity	: 1.60 - 2.65 m ³	1.90 - 2.50 m ³	1.90 - 2.50 m ³



GET MORE FROM YOUR MACHINE

You're at the heart of Hitachi Construction Machinery's design for its latest range of excavators. To continuously improve on previous generation machines, we've focused on enhancing your profit in business.

We have made cost reduction for our customers our top priority and, in doing so, have achieved reduced fuel consumption. The cab has been redesigned to improve the operator's working environment and controllability, with production also expected to improve. An engine that already has a proven track record of high reliability has been adopted, and we have placed further work in it to make it even more robust. Remote failure diagnosis, monitoring, and OTA (Over The Air - controller rewriting) are also supported to reduce downtime.

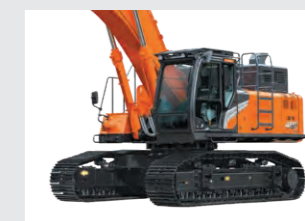
INSIDE



4-5 | MORE PRODUCTION
LOWER FUEL CONSUMPTION



6-7 | BETTER
OPERABILITY



8-9 | HIGH DURABILITY
AND RELIABILITY



10-11 | GREATER DURABILITY IN
QUARRY SITES R-series



12-13 | SMOOTH
MAINTENANCE



14-15 | MACHINE
MANAGEMENT

MORE PRODUCTION LOWER FUEL CONSUMPTION

The HIOS-V new Hydraulic system has achieved both increased productivity and reduced fuel consumption in each mode. The ZAXIS performance contributes to increase the returns to the customer.

PWR_{mode}

Fuel consumption reduced by
Productivity increased by

-14% & +10%

Compared to ZX470-5G PWR mode

ECO_{mode}

Fuel consumption reduced by
Productivity increased by

-24% & +1%

Compared to ZX470-5G ECO mode

HP_{mode}

Fuel consumption reduced by
Productivity increased by

-2% & +7%

Compared to ZX470-5G HP mode

HIOS-V Hydraulic system

The hydraulic system developed was based on the concept of a hydraulic system that fits in-line with a sense of human operation.

- ✓ Efficient hydraulic control achieves smoother and more speedy movement of front attachments.
- ✓ Fine-tuned hydraulic pump control according to work load reduces fuel consumption and supports cost reductions.

Reduced oil pressure loss

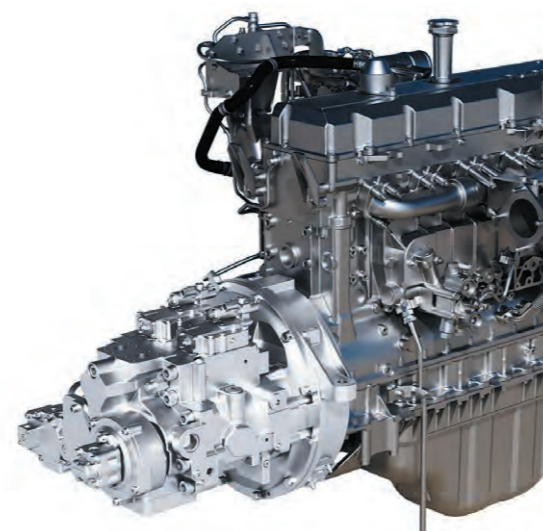
A new valve has been adopted to reduce hydraulic loss and further improve hydraulic efficiency.

- ✓ Contributing to low fuel consumption operation

High power engine

Rated power has been increased from the conventional ZX470-5G engine contributing to greater work volume.

- ✓ Increased workload



	ZX470-5G	ZX490-7G
Rated output (ISO 14396:2002)	235kW	296kW

High efficiency operation support system

ECO gauge

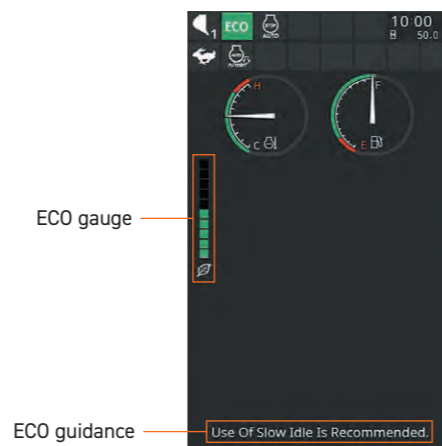
The current fuel consumption is indicated by segment display, prompting the operator to better fuel economy. The lower the fuel consumption, the higher the segment.

Easy to be removed and cleaned

ECO guidance

Prompts the operator to better fuel economy. Messages are also shown while the ECO gauge is displayed.

- ✓ Prompts operator for better economy



BETTER OPERABILITY

In the cab of the Zaxis-7G, enhanced comfort and safety features are at your fingertips, offering the power to perform greater productivity with ease as well as reduced fatigue.



Operation is easy with ergonomically designed controls and switches.



Low-reflective color 8" monitor, 42% larger display compared to ZX-5G series. Easier to view and navigate. Optional USB power supply and Bluetooth® available.



New designed pilot shut-off lever
The newly designed pilot shut-off lever allows easier locking and unlocking with wrist operation.



AERIAL ANGLE (Optional)
270-degree bird's-eye-view camera system is available as an option.

HIGH DURABILITY AND RELIABILITY

Completing a project on time and on budget depends on the ability of your construction equipment to perform all day, every day. That's why Hitachi construction machinery owners have profited from generations of reliable and durable machinery. Hitachi Construction Machinery is always conscious of improving long-term reliability in its machine development. High long-term reliability is good in not only performance all day, every day but also for resale value.

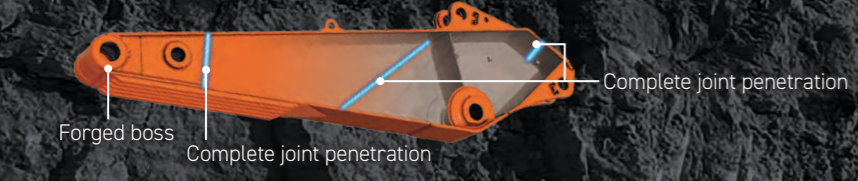
H Boom

Complete joint penetration has been applied to areas where the load is focused, and durability and reliability have been further improved.



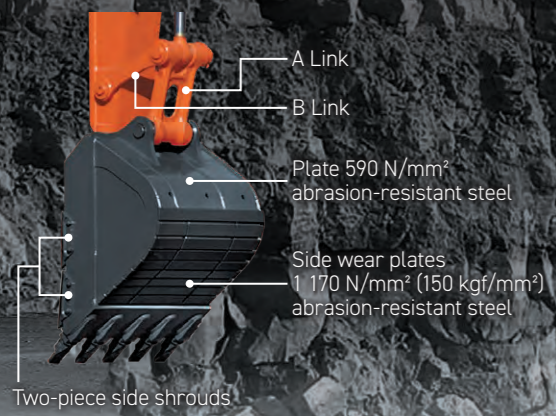
H Arm

A forged boss is used in the arm rod. Complete joint penetration has been applied to areas where the load is focused, and durability and reliability have been further improved.



Rock bucket (ZX490H-7G, ZX490LCH-7G only)

A rock bucket has been adopted in consideration for sites requiring heavier excavator work. Equipped with horizontal wear plates and two-piece side shrouds for increased durability.



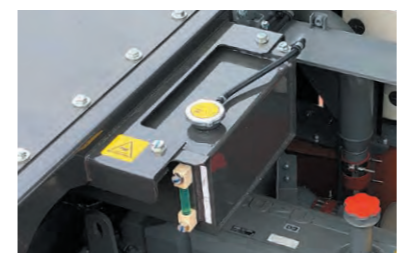
Undercarriage (ZX490H-7G, ZX490LCH-7G only)

Full track guard
Protects the lower roller and link from boulders and extending the unit's operating life.



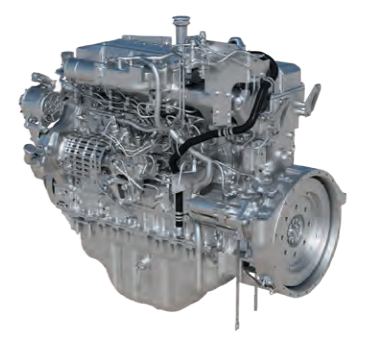
Equipped with an Expansion tank

Improving the reliability of the engine cooling performance



An engine with improved reliability

The engine is a highly reliable model that has already been adopted previously. In adopting it for the ZX-7G, we have put in our efforts to further increase durability and to BOOST your uptime. EGR (Exhaust Gas Recirculation) is removed from the engine, increasing its durability for using low-quality fuel.



H-front attachment (Same as the standard model)

H/R Cab (ZX490H-7G, ZX490LCH-7G only)



A reinforced cab for H&R specification machines with a reinforced windshield and a FOPS* guard that protects the cab from falling objects. The front has a laminated straight glass front window that shuts out dust. The cab front guard (optional), also complies with the ISO standard OPG**.

*FOPS: Falling-Object Protective Structure
**OPG: Operator Protective Guards

Reinforced undercover (ZX490H-7G, ZX490LCH-7G only)

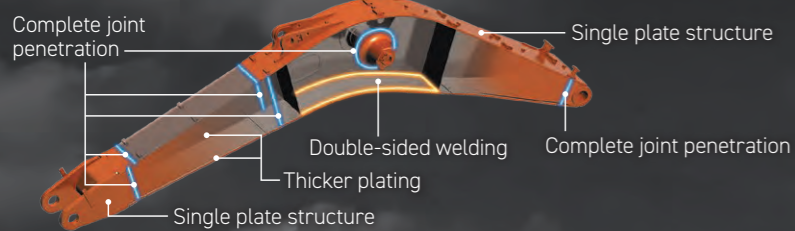
Laminated straight glass front window

GREATER DURABILITY IN QUARRY SITES R-series

Realizing higher quality and stronger durability
 "Abrasion-resistant steel has been adopted, and strength has been further increased by changing the structure."
 "Durable front structure and joints"
 "Reinforced undercarriage that can withstand severe ground conditions"
 Achieved stronger durability that meets customer needs.

R Boom

Double-sided welding and complete joint penetration are applied to improve the rigidity and durability of the boom. Durability is also improved by the boom end side plate's single plate structure, thicker boom end bush and other various components.



R Arm

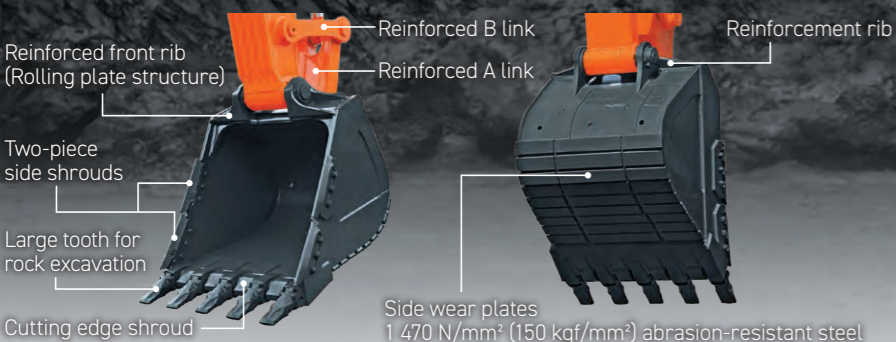
Thicker arm side frames are installed, improving durability. Arm dent prevention plates and five square bars prevent the deformation of the arm during digging and loading of limestone and crushed stone.



R Bucket

R bucket for crushed stones: High durability by adopting abrasion-resistant steel, two-piece side shrouds, cutting edge shrouds, and large bucket claws for rock excavation. The side wear plate is made of 1 470 N/mm² (150 kgf/mm²) class abrasion-resistant steel that has high wear resistance and is easy to repair by welding. Repair work such as replacements can also be done relatively easily.

R Bucket for limestone: Limestone has slightly sticky properties and can be tough to work with, and places a large load on the front structure during excavation. For this reason, the R bucket designed for limestone has a structure that emphasizes crack prevention. The arm mounting bracket has been strengthened with added ribs. Impact resistance is improved by increasing the length of welded part. In addition, 1 470 N/mm² (150 kgf/mm²) grade abrasion-resistant steel is used to improve wear resistance.

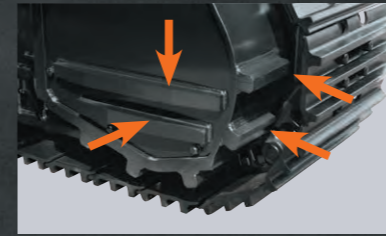


*The photo shows the R bucket for crushed stone.

Undercarriage

Reinforced travel motor guard

Protects the travel motor from rocks and prevents the damage to travel motor.



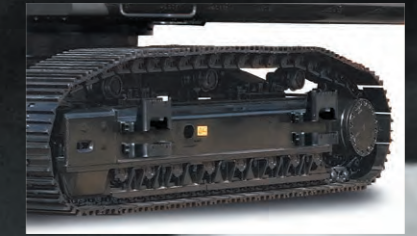
Reinforced idler bracket

The idler bracket is strengthened to cope with frequent impacts.



Full track guard

Protects the lower roller link from rocks and extending the unit's operating life.



H/R Cab



A reinforced cab for H&R specification machines with a reinforced windshield and a FOPS* guard that protects the cab from falling objects. The front has a laminated straight glass front window that shuts out dust. The cab front guard (optional), also complies with the ISO standard OPG**.
 *FOPS: Falling-Object Protective Structure
 **OPG: Operator Protective Guards

Laminated straight glass front window

Reinforced B Link

Reinforced A link

Reinforced undercover

Photo:ZX490LCR-7G

SMOOTH MAINTENANCE

Regular maintenance is essential for the machine to achieve high performance. Hitachi's excavator is designed for ease of regular maintenance. Simple and easy maintenance keeps the machine in good condition and keeps its high performance.



Easy-access air conditioner condenser

- ✓ The cover can be opened without the need for any tools
- ✓ Easy to clean Radiator/Oil Cooler/Inter cooler core with simple air blowing



Dust-proof net on right side cover

- ✓ Provided on the cover, in front of radiator core
- ✓ Easy cleaning with compressed air



Simplified engine oil drainage

- ✓ Drain work can be done more easily by attaching a dedicated nozzle hose.



Side walk (optional)

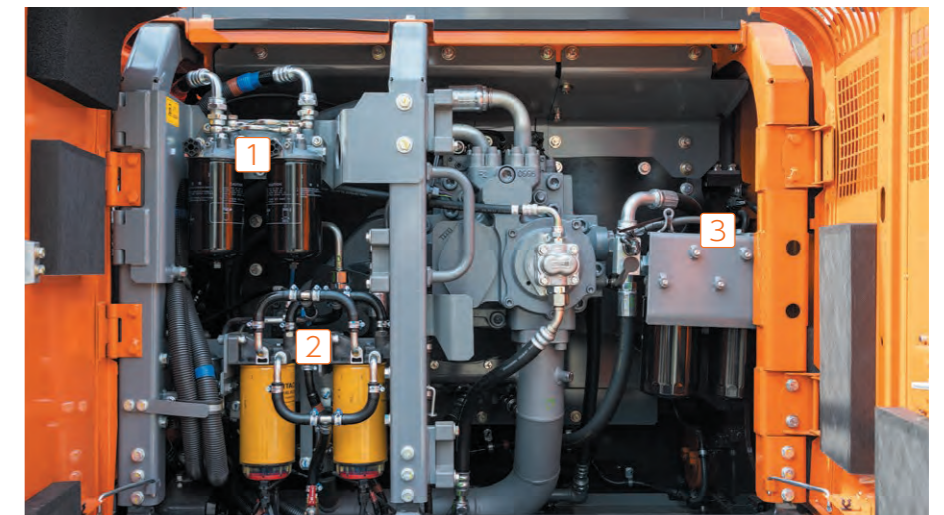
- ✓ Easy to move from cab to pump room or platform



Easy access to filters

Filter locations are concentrated in the pump room

- 1 Fuel main filter
- 2 Fuel pre-filter with water separator
- 3 Engine oil filter



MACHINE MANAGEMENT

Hitachi Construction Machinery offers a wide range of after-sales services to help you feel in total control of your fleet and workload. These initiatives give you access to vital data and tools to manage your machine.



A wide range of data on Global e-Service enhances efficiency.

Data report

Regular reports inform you of the machine's operation status. Emergency reports inform you of alarm information. The stable operation of the machine is further supported with two types of reports visualizing the machine's daily operation status.

Monthly report

Regular reports on the operating status of each machine.

Alarm report

If an emergency alarm is generated from a sensor mounted on the machine, its alarm content is reported by e-mail in a timely manner. You can receive it on your computer, mobile phone, or smartphone (communication format is via e-mail).

movie for further info.



ConSite Air

This is a service solution to diagnose machine status and update software from a remote location using OTA (Over The Air).

- Machine status, including error code display and sensor data, can be checked quickly, reducing downtime due to machine trouble.
- Software updates can be performed remotely, reducing the amount of machine downtime required.



Remote Diagnosis



Remote Software update

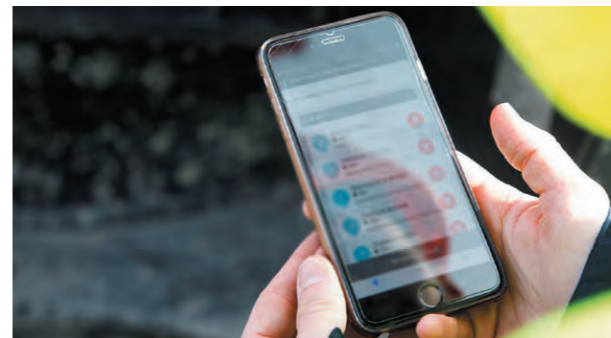
movie for further info.



ConSite Pocket

ConSite Pocket sends you real-time alerts for issues arising with your machine. You'll receive recommendations on what to do and step-by-step help guides. The app also enables you to see the location of your fleet.

- Use your smartphone to check monthly reports, alarm reports, as well as machine operating positions.
- If an alarm report is generated, the system will notify you immediately using a push notification.



Monthly report

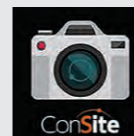


Machine finder



Location information

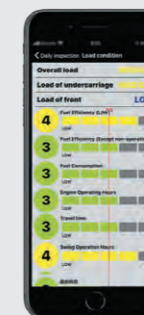
movie for further info.



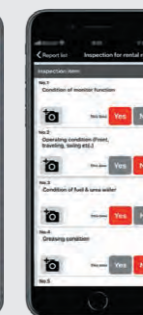
ConSite Shot

This is a smartphone application that allows you to easily perform daily inspections of your machines and rental warehousing / delivery management.

- You can easily create high-quality inspection reports and share information within your company or with agents etc.
- Customers who have rental machines can also use it during rental warehousing / delivery inspections.



Load condition



Acceptance or delivery inspection of rental machines



Inspection report with condition photo

movie for further info.



ConSite OIL

This system detects if the oil quality has deteriorated, due to contamination or low viscosity. If this happens, you and your authorized dealer will receive an alert.

movie for further info.



SPECIFICATIONS

ENGINE	
Model	Isuzu 6WG1
Type	4-cycle water-cooled, common rail direct injection
Aspiration	Variable geometry turbocharged, intercooled
No. of cylinders	6
Rated power	
ISO 14396 : 2002 gross	296 kW (397 HP) at 1 800 min ⁻¹ (rpm)
ISO 9249 : 2007 net	295 kW (396 HP) at 1 800 min ⁻¹ (rpm)
Maximum torque	1 932 Nm (197 kgfm) at 1 400 min ⁻¹ (rpm)
Piston displacement	15.681 L
Bore and stroke	147 mm x 154 mm
Batteries	2 x 12 V

HYDRAULIC SYSTEM			
Hydraulic Pumps			
Main pumps	2 variable displacement axial piston pumps		
Maximum oil flow	2 x 385 L/min		
Pilot pump	1 gear pump		
Maximum oil flow	30 L/min		
Hydraulic Motors			
Travel	2 variable displacement axial piston motors		
Swing	2 axial piston motor		
Relief Valve Settings			
Implement circuit	31.9 MPa (325 kgf/cm ²)		
Swing circuit	28.4 MPa (290 kgf/cm ²)		
Travel circuit	35.3 MPa (360 kgf/cm ²)		
Pilot circuit	3.9 MPa (40 kgf/cm ²)		
Power boost	35.3 MPa (360 kgf/cm ²)		
Hydraulic Cylinders			
	Quantity	Bore	Rod diameter
Boom	2	170 mm	115 mm
Arm	1	190 mm	130 mm
Bucket	1	170 mm	120 mm

UPPERSTRUCTURE	
Revolving Frame	
D-section frame for resistance to deformation.	
Swing Device	
Axial piston motor with planetary reduction gear is bathed in oil. Swing circle is single-row. Swing parking brake is spring-set/hydraulicreleased disc type.	
Swing speed	9.6 min ⁻¹ (rpm)
Swing torque	148 kNm (15 100 kgfm)

UNDERCARRIAGE	
Tracks	
Heat-treated connecting pins with dirt seals. Hydraulic (grease) track adjusters with shock-absorbing recoil springs.	
Numbers of Rollers and Shoes on Each Side	
Upper rollers	2
Lower rollers	8 : ZX490-7G / ZX490H-7G
	9 : ZX490LC-7G / ZX490LCH-7G / ZX490LCR-7G
Track shoes	49 : ZX490-7G / ZX490H-7G
	53 : ZX490LC-7G / ZX490LCH-7G / ZX490LCR-7G
Track guards	1 : ZX490-7G
	2 : ZX490LC-7G
	Full track guard : ZX490H-7G / ZX490LCH-7G / ZX490LCR-7G
Travel Device	
Each track driven by axial piston motor through reduction gear for counterrotation of the tracks. Parking brake is spring-set/hydraulic-released disc type. Automatic transmission system: High-Low.	
Travel speeds	High : 0 to 5.6 km/h
	Low : 0 to 3.8 km/h
Maximum traction force	329 kN (33 600 kgf)
Gradeability	70 % (35 degree) continuous

SERVICE REFILL CAPACITIES	
Fuel tank	675.0 L
Engine coolant	75.0 L
Engine oil	52.0 L
Swing device (each)	6.5 L
Travel device (each side)	11.0 L
Hydraulic system	510.0 L
Hydraulic oil tank	290.0 L

WEIGHTS AND GROUND PRESSURE							
Operating Weight and Ground Pressure							
ZX490-7G							
Shoe grouser type	Shoe width	Arm type	Boom type	Bucket Capacity (ISO7451 : 2007 heaped)	Operating weight	Ground pressure	
	mm				kg	kPa	kgf/cm ²
Triple or double	600	2.5 m BE	6.3 m BE	2.5 m ³ Bucket	47 000	80	0.82
		3.4 m H	7.0 m H	1.9 m ³ Bucket	46 500	79	0.81
Triple	750	2.5 m BE	6.3 m BE	2.5 m ³ Bucket	47 700	65	0.66
		3.4 m H	7.0 m H	1.9 m ³ Bucket	47 200	64	0.65

ZX490LC-7G							
Shoe grouser type	Shoe width	Arm type	Boom type	Bucket Capacity (ISO7451 : 2007 heaped)	Operating weight	Ground pressure	
	mm				kg	kPa	kgf/cm ²
Triple or double	600	2.5 m BE	6.3 m BE	2.65 m ³ Bucket	48 300	82	0.84
		3.4 m H	7.0 m H	2.1 m ³ Bucket	47 800	81	0.83
Triple	750	2.5 m BE	6.3 m BE	2.65 m ³ Bucket	49 000	66	0.67
		3.4 m H	7.0 m H	2.1 m ³ Bucket	48 500	66	0.67
	900	2.5 m BE	6.3 m BE	2.65 m ³ Bucket	49 700	62	0.63
		3.4 m H	7.0 m H	2.1 m ³ Bucket	49 200	56	0.57

ZX490H-7G							
Shoe grouser type	Shoe width	Arm type	Boom type	Bucket Capacity (ISO7451 : 2007 heaped)	Operating weight	Ground pressure	
	mm				kg	kPa	kgf/cm ²
Triple or double	600	3.4 m H	7.0 m H	1.9 m ³ Rock bucket	47 000	80	0.82

ZX490LCH-7G							
Shoe grouser type	Shoe width	Arm type	Boom type	Bucket Capacity (ISO7451 : 2007 heaped)	Operating weight	Ground pressure	
	mm				kg	kPa	kgf/cm ²
Triple or double	600	2.5 m BE	6.3 m BE	2.5 m ³ Rock bucket	48 600	82	0.84
		3.4 m H	7.0 m H	1.9 m ³ Rock bucket	48 200	82	0.84

ZX490LCR-7G							
Shoe grouser type	Shoe width	Arm type	Boom type	Bucket Capacity (ISO7451 : 2007 heaped)	Operating weight	Ground pressure	
	mm				kg	kPa	kgf/cm ²
Triple or double	600	2.5 m BER	6.3 m BER	2.5 m ³ R-bucket	48 900	83	0.85
		2.9 m BER	6.3 m BER	2.3 m ³ R-bucket	48 700	83	0.85
		2.9 m BER	7.0 m R	2.1 m ³ R-bucket	48 400	82	0.84
		3.4 m R	7.0 m R	1.9 m ³ R-bucket	48 400	82	0.84

SPECIFICATIONS

BUCKET AND ARM DIGGING FORCE

ZX490-7G / ZX490LC-7G

Boom length	6.3 m BE				7.0 m H			
	2.5 m BE		2.9 m BE		2.9 m BE		3.4 m H	
	kN	kgf	kN	kgf	kN	kgf	kN	kgf
Bucket digging force* ISO 6015 : 2006	285	29 130	285	29 130	285	29 130	286	29 230
Arm crowd force* ISO 6015 : 2006	294	30 050	256	26 140	259	26 450	222	22 640

* At power boost

ZX490H-7G / ZX490LCH-7G

Boom length	6.3 m BE				7.0 m H			
	2.5 m BE		2.9 m BE		2.9 m BE		3.4 m H	
	kN	kgf	kN	kgf	kN	kgf	kN	kgf
Bucket digging force* ISO 6015 : 2006	295	30 150	295	30 150	295	30 150	296	30 260
Arm crowd force* ISO 6015 : 2006	302	30 770	263	26 860	263	26 860	224	22 850

* At power boost

ZX490LCR-7G

Boom length	6.3 m BER				7.0 m R			
	2.5 m BER		2.9 m BER		2.9 m BER		3.4 m R	
	kN	kgf	kN	kgf	kN	kgf	kN	kgf
Bucket digging force* ISO 6015 : 2006	295	30 150	295	30 150	295	30 150	296	30 260
Arm crowd force* ISO 6015 : 2006	302	30 770	263	26 860	263	26 860	224	22 850

* At power boost

BACKHOE ATTACHMENTS

ZX490-7G

Bucket	Capacity (m ³) ISO 7451 : 2007 heaped	Width (mm)		No. of teeth	Weight (kg)	Boom 6.3 m BE		Boom 7.0 m H	
		Without side cutters	With side cutters			Arm 2.5 m BE	Arm 2.9 m BE	Arm 2.9 m BE	Arm 3.4 m H
Hoe bucket	1.6	1 220	1 360	5	1 480	-	-	○	○
	1.9	1 400	1 540	5	1 590	-	-	○	○
	2.1	1 490	1 630	5	1 650	-	-	○	○
	2.3	1 520	1 660	5	1 800	○	○	○	-
	2.5	1 630	1 770	5	1 870	○	○	-	-
	2.65	1 720	1 860	5	1 930	○	-	-	-
Applicable shoe type						600 mm Triple grouser or double grouser 750 mm Triple grouser			

ZX490LC-7G

Bucket	Capacity (m ³) ISO 7451 : 2007 heaped	Width (mm)		No. of teeth	Weight (kg)	Boom 6.3 m BE		Boom 7.0 m H	
		Without side cutters	With side cutters			Arm 2.5 m BE	Arm 2.9 m BE	Arm 2.9 m BE	Arm 3.4 m H
Hoe bucket	1.6	1 220	1 360	5	1 480	-	-	○	○
	1.9	1 400	1 540	5	1 590	-	-	○	○
	2.1	1 490	1 630	5	1 650	-	-	○	○
	2.3	1 520	1 660	5	1 800	○	○	○	○
	2.5	1 630	1 770	5	1 870	○	○	-	-
	2.65	1 720	1 860	5	1 930	○	○	-	-
Applicable shoe type						600 mm Triple grouser or double grouser 750 mm Triple grouser			

ZX490H-7G

Bucket	Capacity (m ³) ISO 7451 : 2007 heaped	Width (mm)		No. of teeth	Weight (kg)	Boom 6.3 m BE		Boom 7.0 m H	
		Without side cutters	With side cutters			Arm 2.5 m BE	Arm 2.9 m BE	Arm 2.9 m BE	Arm 3.4 m H
Rock bucket	1.9	1 480	1 500	5	2 070	●	●	●	●
	2.1	1 560	1 580	5	2 170	●	●	●	-
	2.3	1 680	1 700	5	2 260	●	-	-	-
Ripper bucket	1.3	1 170	-	3	2 330	●	●	●	●
One-point ripper				1	1 260	●	●	●	●
Applicable shoe type						600 mm Triple grouser or double grouser			

ZX490LCH-7G

Bucket	Capacity (m ³) ISO 7451 : 2007 heaped	Width (mm)		No. of teeth	Weight (kg)	Boom 6.3 m BE		Boom 7.0 m H	
		Without side cutters	With side cutters			Arm 2.5 m BE	Arm 2.9 m BE	Arm 2.9 m BE	Arm 3.4 m H
Rock bucket	1.9	1 480	1 500	5	2 070	●	●	●	●
	2.1	1 560	1 580	5	2 170	●	●	●	-
	2.3	1 680	1 700	5	2 260	●	●	-	-
	2.5	1 800	1 820	5	2 360	○	○	-	-
	3.0	1 810	1 830	5	2 420	○	○	-	-
Ripper bucket	1.3	1 170	-	3	1 930	●	●	●	●
One-point ripper				1	1 260	●	●	●	●
Applicable shoe type						600 mm Triple grouser or double grouser			

ZX490LCR-7G

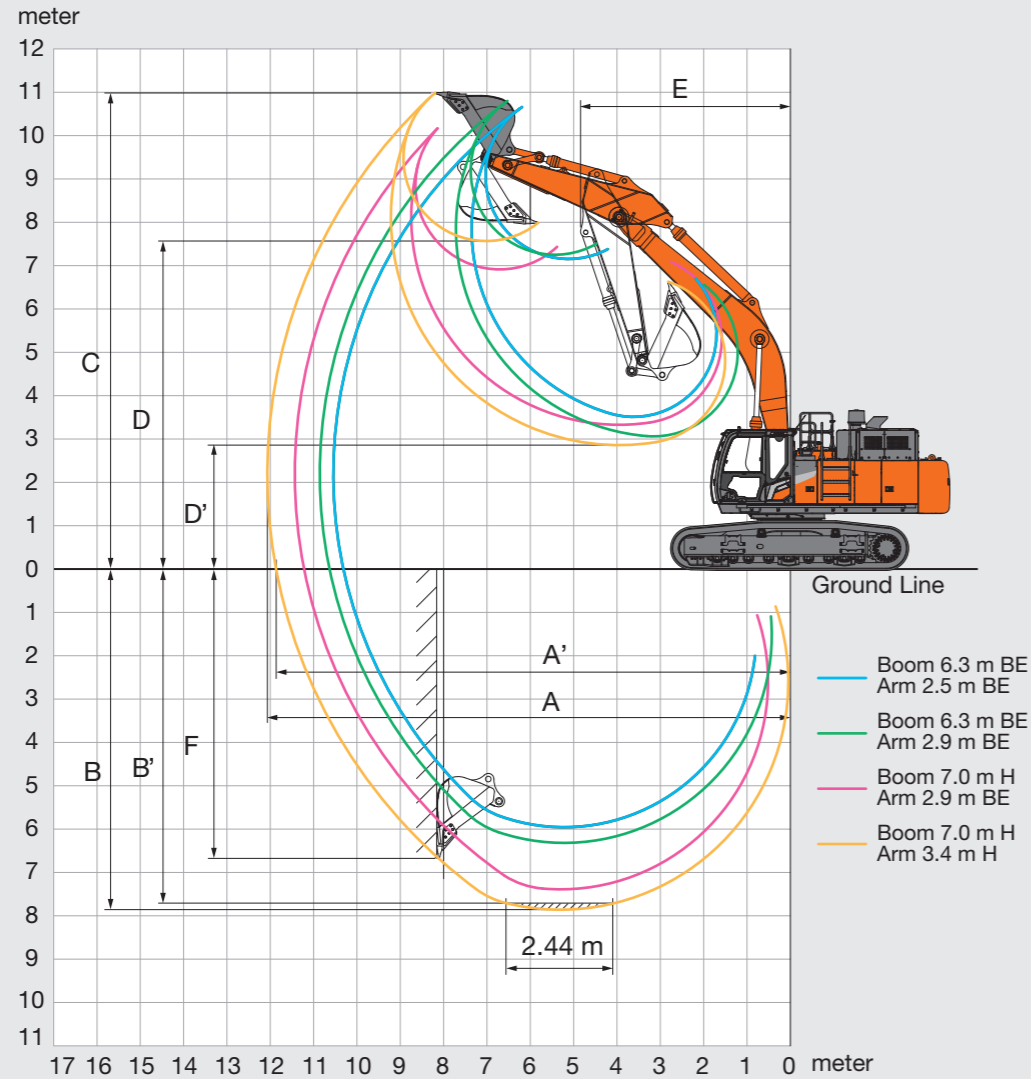
Bucket	Capacity (m ³) ISO 7451 : 2007 heaped	Width (mm)		No. of teeth	Weight (kg)	Boom 6.3 m BE		Boom 7.0 m R	
		Without side cutters	With side cutters			Arm 2.5 m BE	Arm 2.9 m BE	Arm 2.9 m BE	Arm 3.4 m H
R bucket	1.9	1 480	1 500	5	2 070	●	●	●	●
	2.1	1 560	1 580	5	2 170	●	●	●	-
	2.3	1 680	1 700	5	2 260	●	●	-	-
	2.5	1 800	1 820	5	2 360	●	-	-	-
Applicable shoe type						600 mm Triple grouser or double grouser			

- Suitable for material with density of 1 600 kg/m³ or less
- Suitable for material with density of 1 800 kg/m³ or less
- Heavy-duty service
- Not applicable

SPECIFICATIONS

ZX490-7G / ZX490LC-7G

WORKING RANGES



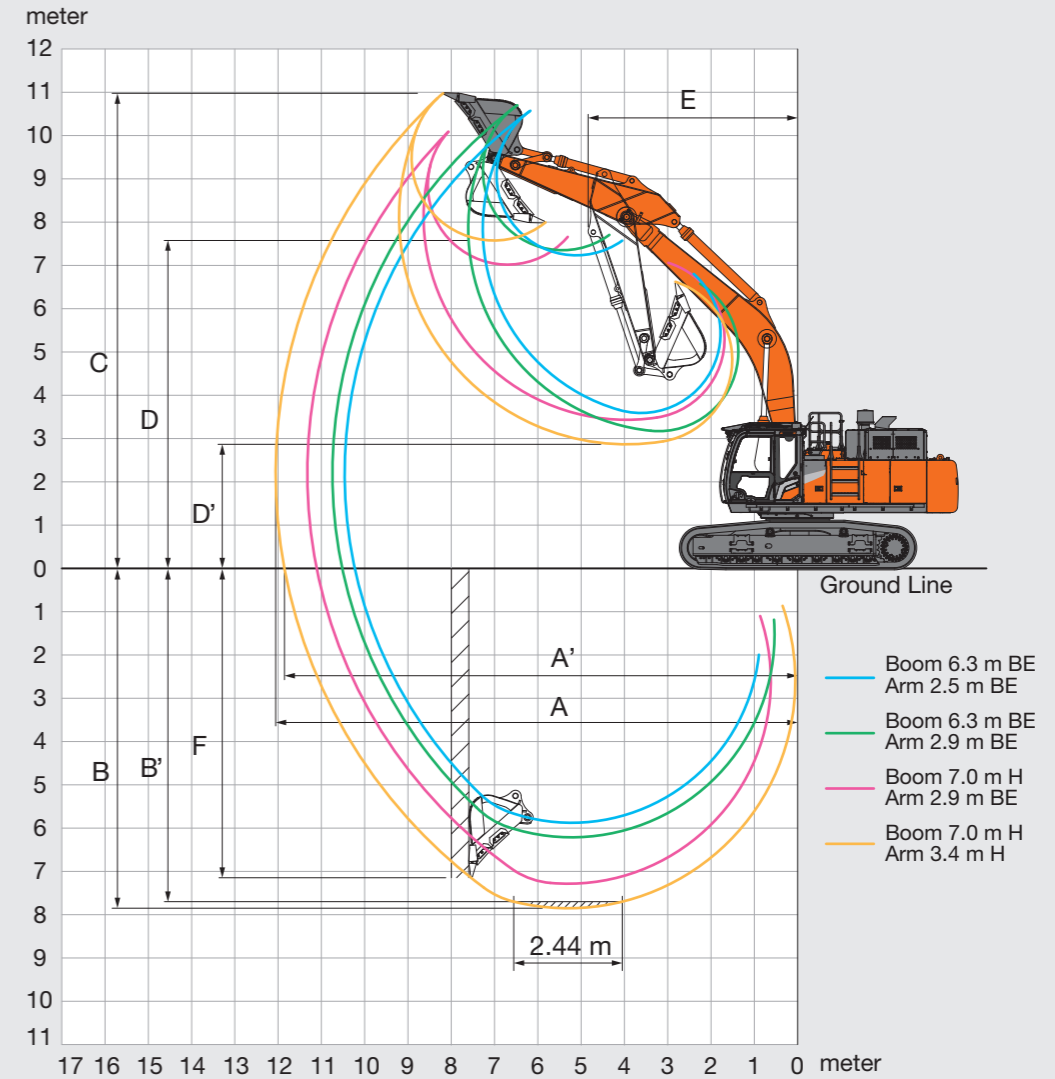
Unit: mm

Boom	ZX490-7G / ZX490LC-7G			
	6.3 m BE		7.0 m H	
	2.5 m BE	2.9 m BE	2.9 m BE	3.4 m H
A Max. digging reach	10 460 / 10 550	10 850 / 10 750	11 400 / 11 400	12 060 / 12 060
A' Max. digging reach (on ground)	10 240 / 10 320	10 640 / 10 520	11 200 / 11 220	11 860 / 11 860
B Max. digging depth	5 920 / 5 960	6 360 / 6 210	7 400 / 7 360	7 890 / 7 850
B' Max. digging depth for 2.44 m level	5 740 / 5 780	6 200 / 6 050	7 200 / 7 160	7 750 / 7 710
C Max. cutting height	10 530 / 10 660	10 760 / 10 710	10 130 / 10 170	10 920 / 10 960
D Max. dumping height	7 190 / 7 160	7 210 / 7 360	6 900 / 6 910	7 530 / 7 570
D' Min. dumping height	3 550 / 3 510	3 030 / 3 170	3 320 / 3 330	2 820 / 2 860
E Min. swing radius	3 930 / 3 930	3 920 / 3 920	5 020 / 5 020	4 840 / 4 840
F Max. vertical wall digging depth	4 380 / 4 230	5 150 / 4 740	5 390 / 4 780	6 710 / 6 670

Excluding track shoe lug

ZX490H-7G / ZX490LCH-7G

WORKING RANGES



Unit: mm

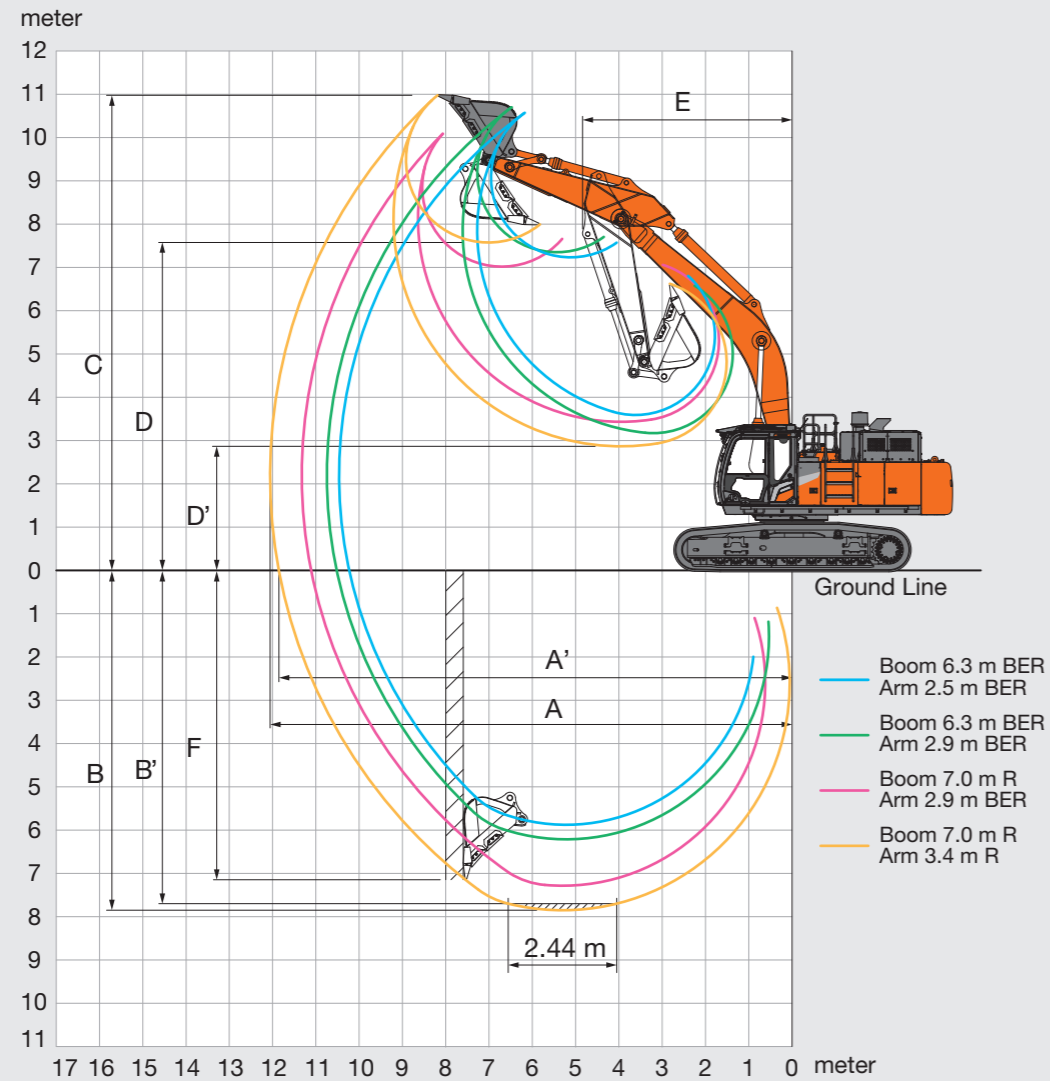
Boom	ZX490H-7G		ZX490LCH-7G			
	7.0 m H		6.3 m BE		7.0 m H	
	2.9 m BE	3.4 m H	2.5 m BE	2.9 m BE	2.9 m BE	3.4 m H
A Max. digging reach	11 330	12 060	10 460	10 750	11 330	12 060
A' Max. digging reach (on ground)	11 120	11 860	10 230	10 630	11 110	11 860
B Max. digging depth	7 330	7 900	5 880	6 220	7 290	7 860
B' Max. digging depth for 2.44 m level	7 130	7 760	5 710	6 060	7 090	7 720
C Max. cutting height	10 040	10 920	10 570	10 700	10 080	10 980
D Max. dumping height	6 970	7 520	7 230	7 350	7 010	7 560
D' Min. dumping height	3 390	2 810	3 580	3 160	3 430	2 850
E Min. swing radius	5 020	4 840	4 090	3 930	5 020	4 840
F Max. vertical wall digging depth	4 400	7 230	4 350	4 740	4 360	7 190

Excluding track shoe lug

SPECIFICATIONS

ZX490LCR-7G

WORKING RANGES



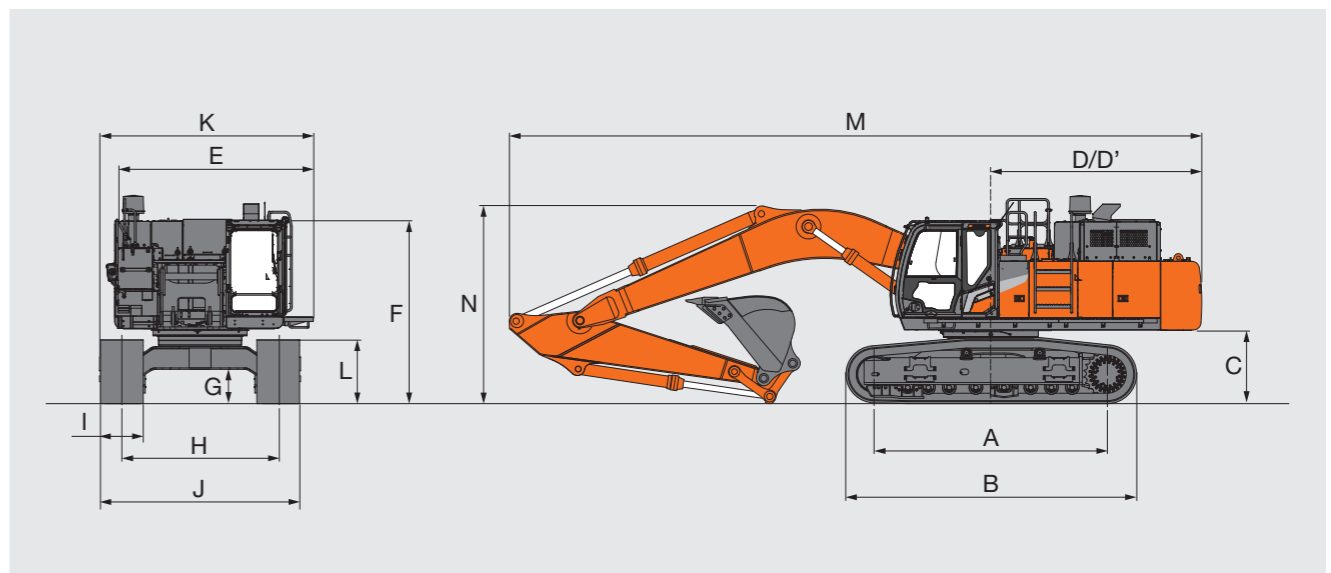
Unit: mm

	ZX490LCR-7G			
	6.3 m BER		7.0 m R	
	2.5 m BER	2.9 m BER	2.9 m BER	3.4 m R
A Max. digging reach	10 460	10 750	11 330	12 060
A' Max. digging reach (on ground)	10 230	10 630	11 110	11 860
B Max. digging depth	5 880	6 220	7 290	7 860
B' Max. digging depth for 2.44 m level	5 710	6 060	7 090	7 720
C Max. cutting height	10 570	10 700	10 080	10 980
D Max. dumping height	7 230	7 350	7 010	7 560
D' Min. dumping height	3 580	3 160	3 430	2 850
E Min. swing radius	4 090	3 930	5 020	4 840
F Max. vertical wall digging depth	4 350	4 740	4 360	7 190

Excluding track shoe lug

ZX490-7G / ZX490LC-7G / ZX490H-7G / ZX490LCH-7G / ZX490LCR-7G

DIMENSIONS



Unit: mm

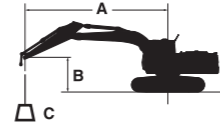
	ZX490-7G	ZX490LC-7G	ZX490H-7G	ZX490LCH-7G	ZX490LCR-7G
A Distance between tumbler	4 040	4 470	4 040	4 470	4 470
B Undercarriage length	5 040	5 470	5 040	5 470	5 470
*C Counterweight clearance	1 230	1 270	1 230	1 270	1 270
D Rear-end swing radius	3 670	3 670	3 670	3 670	3 670
D' Rear-end length	3 660	3 660	3 660	3 660	3 660
E Overall width of upperstructure	2 990	2 990	2 990	2 990	2 990
F Overall height of cab	3 320	3 360	3 320	3 360	3 360
*G Min. ground clearance	495	535	495	535	535
H Track gauge	2 740	2 740	2 740	2 740	2 740
I Track shoe width	600 / 750	600 / 750	600	600	600
J Undercarriage width	with 600 mm shoe	3 340	3 340	3 340	3 340
	with 750 mm shoe	3 490	3 490	-	-
K Overall width	3 820	3 820	3 820	3 820	3 820
*L Track height with triple grouser shoes	1 150	1 150	1 150	1 150	1 150
**M Overall length	12 040	12 040	12 040	12 040	12 040
**N Overall height of boom	3 410	3 450	3 410	3 450	3 450

* Excluding track shoe lug

** with Boom 7.0 m and Arm 3.4 m

MACHINE CAPACITIES

- Notes:
1. Ratings are based on ISO 10567 : 2007.
 2. Machine capacity does not exceed 75% of tipping load with the machine on firm, level ground or 87% full hydraulic capacity.
 3. The load point is the center-line of the bucket pivot mounting pin on the arm.
 4. *Indicates load limited by hydraulic capacity.
 5. 0 m = Ground.



- A: Load radius
B: Load point height
C: Machine capacity

For machine capacities, subtract installed attachment and quick hitch weight from machine capacities.
To determine lifting capacities, apply "Rating over-side or 360 degrees" machine capacities from the table and deduct weight of installed attachment and quick hitch.
Optional feature may affect machine performance.

ZX490-7G Rating over-front Rating over-side or 360 degrees Unit : kg

Conditions	Load point height m	Load radius										At max. reach		
		3.0 m		4.5 m		6.0 m		7.5 m		9.0 m		meter	meter	meter
		Rating over-front	Rating over-side or 360 degrees	Rating over-front	Rating over-side or 360 degrees	Rating over-front	Rating over-side or 360 degrees	Rating over-front	Rating over-side or 360 degrees	Rating over-front	Rating over-side or 360 degrees			
Boom 7.0 m H Arm 3.4 m H Counterweight 9 080 kg Shoe 600 mm	7.5							*11 550	*10 090			*7 710	*7 710	8.6
	6.0							*12 120	9 840	*10 580	7 250	*7 570	6 710	9.4
	4.5			*20 300	*20 300	*15 560	13 250	*13 150	9 440	10 410	7 070	*7 660	6 030	9.9
	3.0			*23 860	18 540	*17 760	12 360	13 420	8 970	10 150	6 830	*7 960	5 660	10.1
	1.5			*15 450	*15 450	18 150	11 640	12 960	8 560	9 900	6 600	8 280	5 520	10.1
	0 (Ground)			*18 020	16 970	17 670	11 220	12 640	8 260	9 710	6 430	8 450	5 610	9.9
	-1.5	*12 850	*12 850	*24 770	16 940	17 480	11 050	12 480	8 120	9 640	6 360	9 000	5 960	9.5
	-3.0	*21 230	*21 230	*23 750	17 130	17 530	11 100	12 510	8 150			10 150	6 700	8.7
	-4.5	*25 030	*25 030	*19 990	17 530	*15 800	11 350	*11 890	8 400			*11 490	8 240	7.6

ZX490H-7G Rating over-front Rating over-side or 360 degrees Unit : kg

Conditions	Load point height m	Load radius										At max. reach						
		3.0 m		4.5 m		6.0 m		7.5 m		9.0 m		meter	meter	meter				
		Rating over-front	Rating over-side or 360 degrees	Rating over-front	Rating over-side or 360 degrees	Rating over-front	Rating over-side or 360 degrees	Rating over-front	Rating over-side or 360 degrees	Rating over-front	Rating over-side or 360 degrees							
Boom 7.0 m H Arm 3.4 m H Counterweight 9 080 kg Shoe 600 mm	7.5											*11 550	10 220			*7 710	*7 710	8.6
	6.0											*12 120	9 970	*10 580	7 350	*7 570	6 810	9.4
	4.5			*20 300	*20 300	*15 560	13 420	*13 150	9 570	10 560	7 170	*7 650	6 120	9.9				
	3.0			*24 860	18 800	*17 760	12 530	13 610	9 100	10 300	6 930	*7 960	5 750	10.1				
	1.5			*15 450	*15 450	18 420	11 820	13 160	8 690	10 050	6 700	8 410	5 610	10.1				
	0 (Ground)			*18 020	17 230	17 930	11 390	12 830	8 390	9 860	6 530	8 590	5 700	9.9				
	-1.5	*12 850	*12 850	*24 770	17 200	17 740	11 230	12 680	8 250	9 790	6 460	9 140	6 060	9.5				
	-3.0	*21 230	*21 230	*23 750	17 390	17 790	11 270	12 700	8 280			10 300	6 810	8.7				
	-4.5	*25 030	*25 030	*19 990	*17 790	*15 800	11 530	*11 890	8 530			*11 490	8 360	7.6				

ZX490LC-7G Rating over-front Rating over-side or 360 degrees Unit : kg

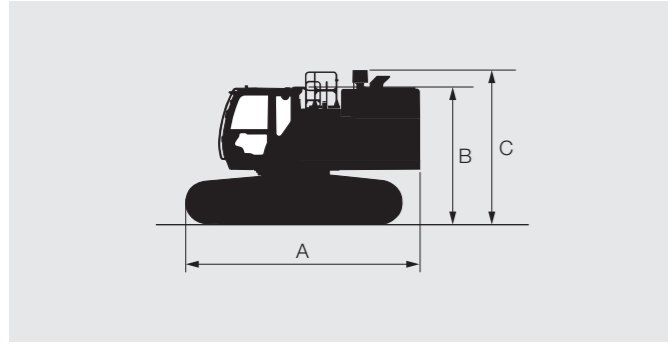
Conditions	Load point height m	Load radius										At max. reach						
		3.0 m		4.5 m		6.0 m		7.5 m		9.0 m		meter	meter	meter				
		Rating over-front	Rating over-side or 360 degrees	Rating over-front	Rating over-side or 360 degrees	Rating over-front	Rating over-side or 360 degrees	Rating over-front	Rating over-side or 360 degrees	Rating over-front	Rating over-side or 360 degrees							
Boom 7.0 m H Arm 3.4 m H Counterweight 9 080 kg Shoe 600 mm	7.5							*12 750	*10 810			*7 690	*7 690	8.7				
	6.0							*13 740	10 530	*10 880	7 800	*7 560	*7 160	9.4				
	4.5			*23 220	*21 780	*17 710	14 120	*14 930	10 100	*12 680	7 610	*7 670	6 480	9.9				
	3.0			*23 700	19 750	*20 170	13 210	*16 250	9 620	*12 400	7 350	*7 990	6 110	10.1				
	1.5			*15 420	*15 420	*22 000	12 490	*15 960	9 200	12 140	7 120	*8 560	5 990	10.1				
	0 (Ground)			*18 460	*18 260	*22 130	12 070	*15 630	8 910	11 950	6 950	*9 470	6 100	9.9				
	-1.5	*13 520	*13 520	*25 480	18 250	*21 950	11 920	*15 480	8 780	11 880	6 890	*10 950	6 500	9.4				
	-3.0	*21 970	*21 970	*26 520	18 460	*20 770	11 990	*15 520	8 820			*12 670	7 350	8.7				
	-4.5	*27 720	*27 720	*22 170	*18 900	*17 540	12 270	*13 050	9 110			*12 990	9 090	7.5				
Boom 7.0 m H Arm 2.9 m BE Counterweight 9 080 kg Shoe 600 mm	7.5																	
	6.0					*16 360	*14 700	*14 450	10 370			*11 040	8 100	8.7				
	4.5			*25 060	*21 020	*18 610	13 830	*15 530	9 950	*12 570	7 510	*11 440	7 210	9.2				
	3.0					*20 880	12 930	*16 300	9 490	*12 320	7 280	11 410	6 750	9.5				
	1.5					*22 370	12 290	*15 850	9 100	12 090	7 080	11 240	6 590	9.5				
	0 (Ground)			*19 900	18 150	*22 000	11 960	*15 570	8 860	11 950	6 950	11 570	6 740	9.2				
	-1.5	*16 250	*16 250	*27 920	18 260	*21 910	11 900	*15 480	8 780			*12 530	7 260	8.7				
	-3.0	*27 520	*27 520	*24 860	18 550	*19 880	12 040	*15 620	8 900			*14 610	8 390	7.9				
	-4.5			*19 900	*19 080	*15 850	12 440					*14 090	10 970	6.6				
Boom 6.3 m BE Arm 2.9 m BE Counterweight 9 080 kg Shoe 600 mm	7.5					*15 550	*15 410					*7 980	*7 980	7.2				
	6.0					*16 690	*15 010	*13 860	10 470			*7 750	*7 750	8.1				
	4.5			*23 710	*22 240	*18 650	14 300	*16 080	10 170			*7 850	*7 850	8.6				
	3.0			*28 490	20 380	*20 890	13 490	*16 630	9 780			*8 230	7 570	8.9				
	1.5			*31 090	19 200	*22 560	12 820	*16 210	9 410			*8 950	7 410	8.9				
	0 (Ground)			*31 040	18 780	*22 570	12 430	*15 940	9 180			*10 170	7 630	8.6				
	-1.5	*24 340	*24 340	*29 140	18 780	*22 270	12 320	*15 880	9 120			*12 350	8 330	8.1				
	-3.0	*32 270	*32 270	*25 320	19 080	*19 570	12 490					*15 420	9 910	7.2				
	-4.5																	
Boom 6.3 m BE Arm 2.5 m BE Counterweight 9 080 kg Shoe 600 mm	7.5					*16 450	*15 160					*12 280	*12 120	6.8				
	6.0					*17 300	*14 760	*15 800	10 270			*11 880	9 670	7.8				
	4.5			*24 720	*21 690	*19 160	14 030	*16 430	9 990			*12 010	8 440	8.3				
	3.0					*21 230	13 220	*16 450	9 610			*12 600	7 840	8.6				
	1.5					*22 670	12 590	*16 060	9 270			13 100	7 670	8.6				
	0 (Ground)			*30 440	18 560	*22 380	12 260	*15 830	9 070			13 630	7 930	8.3				
	-1.5			*28 100	18 660	*21 720	12 210	*15 840	9 080			*15 150	8 740	7.7				
	-3.0			*23 810	19 030	*18 460	12 470					*15 440	10 620	6.8				
	-4.5																	

ZX490LCH-7G Rating over-front Rating over-side or 360 degrees Unit : kg

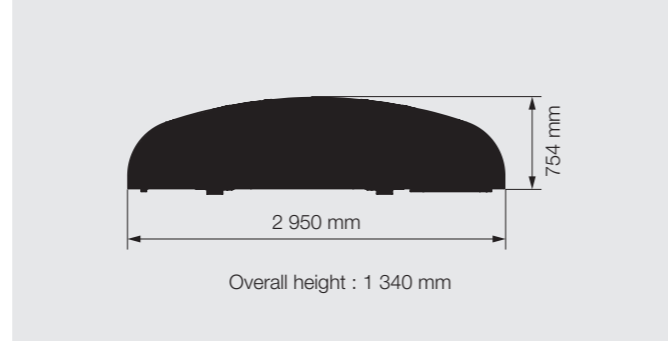
Conditions	Load point height m	Load radius										At max. reach						
		3.0 m		4.5 m		6.0 m		7.5 m		9.0 m		meter	meter	meter				
		Rating over-front	Rating over-side or 360 degrees	Rating over-front	Rating over-side or 360 degrees	Rating over-front	Rating over-side or 360 degrees	Rating over-front	Rating over-side or 360 degrees	Rating over-front	Rating over-side or 360 degrees							
Boom 7.0 m H Arm 3.4 m H Counterweight 9 080 kg Shoe 600 mm	7.5											*12 750	*10 810			*7 690	*7 690	8.7
	6.0											*13 740	10 530	*10 880	7 800	*7 560	*7 160	9.4
	4.5			*23 220	*21 780	*17 710	14 120	*14 930	10 100	*12 680	7 610	*7 670	6 480	9.9				
	3.0			*23 700	19 750	*20 170	13 210	*16 250	9 620	*12 400	7 350	*7 990	6 110	10.1				
	1.5			*15 420	*15 420	*22 000	12 490	*15 960	9 200	12 140	7 120	*8 560	5 990	10.1				
	0 (Ground)			*18 460	*18 260	*22 130	12 070	*15 630	8 910	11 950	6 950	*9 470	6 100	9.9				
	-1.5	*13 520	*13 520	*25 480	18 250	*21 950	11 920	*15 480	8 780	11 880	6 890	*10 950	6 500	9.4				
	-3.0	*21 970	*21 970	*26 520	18 460	*20 770	11 990	*15 520	8 820			*12 670	7 350	8.7				
	-4.5	*27 720	*27 720	*22 170	*18 900	*17 540	12 270	*13 050	9 110			*12 990	9 090	7.5				
Boom 7.0 m H Arm 2.9 m BE Counterweight 9 080 kg Shoe 600 mm	7.5																	
	6.0					*16 360	*14 700	*14 450	10 370			*11 040	8 100	8.7				
	4.5			*25 060	*21 020	*18 610	13 830	*15 530	9 950	*12 570	7 510	*11 440	7 210	9.2				
	3.0					*20 880	12 930	*16 300	9 490	*12 320	7 280	11 410	6 750	9.5				
	1.5					*22 370	12 290	*15 850	9 100	12 090	7 080	11 240	6 590	9.5				
	0 (Ground)			*19 900	18 150	*22 000	11 960	*15 570	8 860	11 950	6 950	11 570	6 740	9.2				
	-1.5	*16 250	*16 250	*27 920	18 260	*21 910	11 900	*15 480	8 780			*12 530	7 260	8.7				
	-3.0	*27 520	*27 520	*24 860	18 550	*19 880	12 040	*15 620	8 900			*14 610	8 390	7.9				
	-4.5			*19 900	*19 080	*15 850	12 440					*14 090	10 970	6.6				
Boom 6.3 m BE Arm 2.5 m BE Counterweight 9 080 kg Shoe 600 mm	7.5					*16 450	*15 160					*12 280	*12 120	6.8				
	6.0					*17 300	*14 760	*15 800	10 270			*11 880	9 670	7.8				
	4.5			*24 720	*21 690	*19 160	14 030	*16 430	9 990			*12 010	8 440	8.3				
	3.0					*21 230	13 220	*16 450	9 610			*12 600	7 840	8.6				
	1.5					*22 670	12 590	*16 060	9 270			13 100	7 670	8.6				
	0 (Ground)			*30 440	18 560	*22 380	12 260	*15 830	9 070			13 630	7 930	8.3				
	-1.5			*28 100	18 660	*2												

TRANSPORTATION

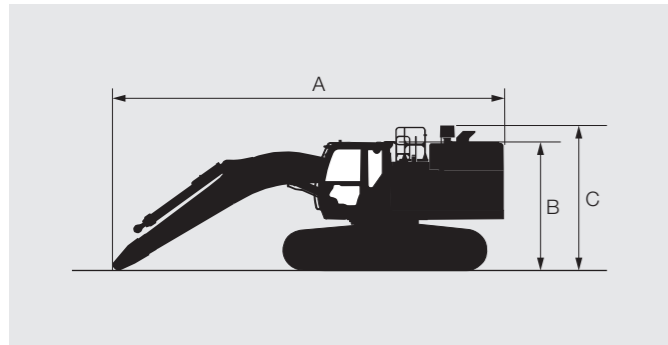
BASIC MACHINE (WITHOUT COUNTERWEIGHT)



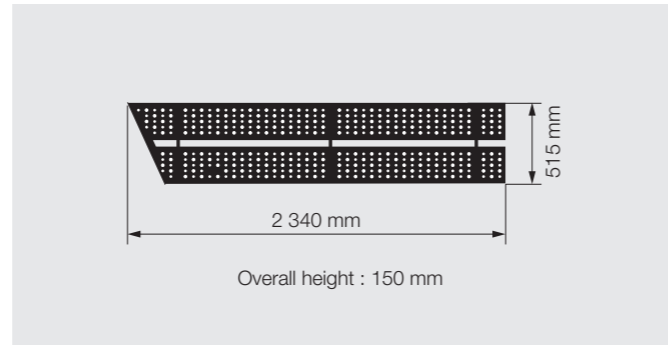
COUNTERWEIGHT 9 080 kg



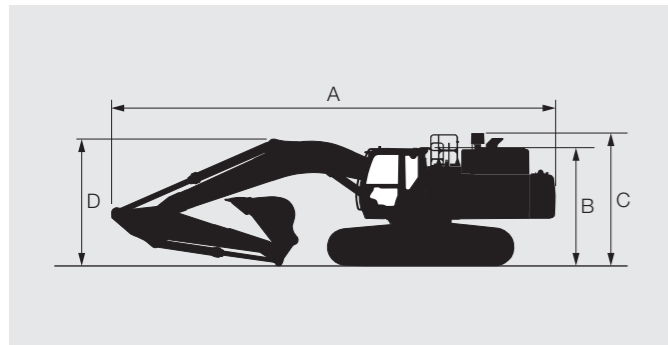
BASIC MACHINE FITTED WITH BOOM



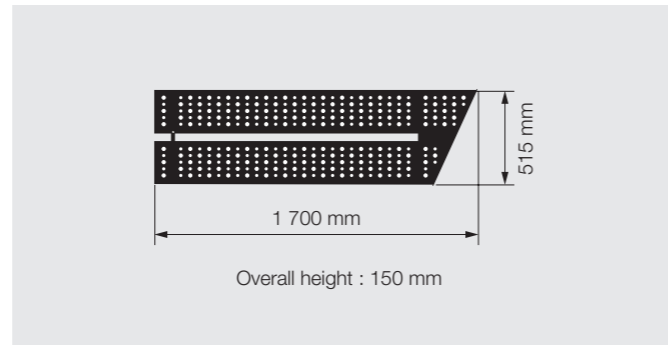
LIFT FRONT SIDEWALK 44 kg



BASIC MACHINE FITTED WITH FRONT AND COUNTERWEIGHT



LEFT REAR SIDEWALK 30 kg



BASIC MACHINE (WITHOUT FRONT AND COUNTERWEIGHT)

Fixed gauge	Shoe width (mm)	A (mm)	B (mm)	C (mm)	Overall width (mm)	Weight (kg)
ZX490-7G	600	5 470	3 175	3 540	3 340	27 900
	750	5 470	3 175	3 540	3 490	28 700
ZX490LC-7G	600	5 690	3 240	3 580	3 340	29 100
	750	5 690	3 240	3 580	3 490	29 900
ZX490H-7G	600	5 470	3 320	3 540	3 340	28 500
ZX490LCH-7G	600	5 690	3 360	3 580	3 340	29 700
ZX490LCR-7G	600	5 690	3 360	3 580	3 340	29 900

BASIC MACHINE FITTED WITH BOOM

Fixed gauge	Boom length	Shoe width (mm)	A (mm)	B (mm)	C (mm)	Overall width (mm)	Weight (kg)
ZX490-7G	6.3 m BE	600	9 170	3 175	3 540	3 340	33 300
		750	9 170	3 175	3 540	3 490	34 000
	7.0 m H	600	9 950	3 175	3 540	3 340	33 300
		750	9 950	3 175	3 540	3 490	34 000
ZX490LC-7G	6.3 m BE	600	9 160	3 240	3 580	3 340	34 500
		750	9 160	3 240	3 580	3 490	35 300
	7.0 m H	600	9 940	3 240	3 580	3 340	34 500
		750	9 940	3 240	3 580	3 490	35 300
ZX490H-7G	7.0 m H	600	9 950	3 320	3 540	3 340	33 900
ZX490LCH-7G	6.3 m BE	600	9 160	3 360	3 580	3 340	35 100
	7.0 m H	600	9 940	3 360	3 580	3 340	35 000
ZX490LCR-7G	6.3 m BER	600	9 160	3 360	3 580	3 340	35 300
	7.0 m R	600	9 940	3 360	3 580	3 340	36 000

BASIC MACHINE FITTED WITH FRONT AND COUNTERWEIGHT

Fixed gauge	Boom length	Arm length	A (mm)	B (mm)	C (mm)	D (mm)
ZX490-7G	6.3 m BE	2.5 m BE	11 490	3 175	3 540	4 130
		2.9 m BE	11 300	3 175	3 540	3 880
	7.0 m H	2.9 m BE	12 060	3 175	3 540	3 860
		3.4 m H	12 040	3 175	3 540	3 450
ZX490LC-7G	6.3 m BE	2.5 m BE	11 490	3 240	3 580	4 130
		2.9 m BE	11 300	3 240	3 580	3 880
	7.0 m H	2.9 m BE	12 060	3 240	3 580	3 860
		3.4 m H	12 040	3 240	3 580	3 450
ZX490H-7G	7.0 m H	2.9 m BE	12 060	3 320	3 540	3 860
		3.4 m H	12 040	3 320	3 540	3 450
ZX490LCH-7G	6.3 m BE	2.5 m BE	11 490	3 360	3 580	4 130
		2.9 m BE	11 300	3 360	3 580	3 880
	7.0 m H	2.9 m BE	12 060	3 360	3 580	3 740
ZX490LCR-7G	6.3 m BER	2.5 m BER	11 490	3 360	3 580	4 130
		2.9 m BER	11 300	3 360	3 580	3 880
	7.0 m R	2.9 m BER	12 060	3 360	3 580	3 740
		3.4 m R	12 040	3 360	3 580	3 450

● : Standard equipment ○ : Optional equipment - : Not applicable

ENGINE	ZX490-7G	ZX490 LC-7G	ZX490 H-7G	ZX490 LCH-7G	ZX490 LCR-7G
Alternator 60 A	●	●	●	●	●
Auto idle system	●	●	●	●	●
Auto shut-down control	●	●	●	●	●
Cartridge-type engine oil filter	●	●	●	●	●
Cartridge-type fuel main filter	●	●	●	●	●
Cartridge-type fuel pre-filter with water separator	●	●	●	●	●
ConSite OIL (sensor) *	●	●	●	●	●
Dry-type air filter with evacuator valve (with air filter restriction indicator)	●	●	●	●	●
Dust-proof net	●	●	●	●	●
ECO/PWR/HP mode control	●	●	●	●	●
Electrical fuel feed pump	●	●	●	●	●
Engine oil drain coupler	●	●	●	●	●
Expansion tank	●	●	●	●	●
Fan guard	●	●	●	●	●
Isolation-mounted engine	●	●	●	●	●
Pre-cleaner	○	○	○	○	○
Radiator, oil cooler and intercooler	●	●	●	●	●
Reversible fan	○	○	○	○	○

HYDRAULIC SYSTEM	ZX490-7G	ZX490 LC-7G	ZX490 H-7G	ZX490 LCH-7G	ZX490 LCR-7G
Accessories for breaker	○	○	○	○	○
Accessories for breaker & crusher	○	○	○	○	○
Accessories for 2 speed selector	○	○	○	○	○
Auto power lift	●	●	●	●	●
Boom mode selector system	●	●	●	●	●
ConSite OIL (sensor) *	●	●	●	●	●
Control valve with main relief valve	●	●	●	●	●
High mesh full flow filter	●	●	●	●	●
Drain filter	●	●	●	●	●
Engine speed sensing system	●	●	●	●	●
Extra port for control valve	●	●	●	●	●
Hose rupture valve for arm	○	○	○	○	○
Hose rupture valve for boom	○	○	○	○	○
Pilot filter	●	●	●	●	●
Power boost	●	●	●	●	●
Shockless valve in pilot circuit	●	●	●	●	●
Suction filter	●	●	●	●	●
Two extra port for control valve	●	●	●	●	●
Work mode selector	●	●	●	●	●

CAB	ZX490-7G	ZX490 LC-7G	ZX490 H-7G	ZX490 LCH-7G	ZX490 LCR-7G
All-weather sound suppressed steel cab	●	●	●	●	●
Auto control air conditioner	●	●	●	●	●
Bluetooth® integrated radio	●	●	●	●	●
Console height adjustment	●	●	●	●	●
CRES VII (center pillar reinforced structure) cab	●	●	●	●	●
Drink holder with hot and cool function	●	●	●	●	●
Electric double horn	●	●	●	●	●
Engine shut-off switch	●	●	●	●	●
Evacuation hammer	●	●	●	●	●
Fire extinguisher bracket	○	○	○	○	○
Floor mat	●	●	●	●	●
Footrest	●	●	●	●	●
Front window washer (1 point)	●	●	●	●	●
Glove compartment	●	●	●	●	●
Hands-free calling device	○	○	○	○	○
Hot and cool box	●	●	●	●	●
Intermittent windshield wipers	●	●	●	●	●
Key cylinder light	●	●	●	●	●
Laminated round glass front window	●	●	-	-	-
Laminated straight glass front window	-	-	●	●	●
LED room light	●	●	●	●	●
Magazine rack	●	●	●	●	●
OPG front guard Level II (ISO10262 : 1998) compliant	-	-	○	○	○
OPG top guard Level II (ISO10262 : 1998) compliant	-	-	●	●	●
Pilot shut-off lever	●	●	●	●	●
Power outlet 12V	○	○	○	○	○
Power outlet 24V	●	●	●	●	●
Rain guard (without OPG front guard)	○	○	○	○	○
Rear tray	●	●	●	●	●
Retractable seat belt	●	●	●	●	●
ROPS (ISO12117-2 : 2008) compliant cab	●	●	●	●	●
Rubber radio antenna	●	●	●	●	●
Seat : air suspension seat with heater	○	○	○	○	○
Seat : mechanical suspension seat	●	●	●	●	●
Seat adjustment part : backrest, armrest, height and angle, slide forward / back	●	●	●	●	●
Seat belt reminder	●	●	●	●	●
Short wrist control levers	●	●	●	●	●
Smartphone holder	●	●	●	●	●
Sunscreen roller type (multi-use front or side and rear window)	○	○	○	○	○
Transparent roof with slide curtain	●	●	●	●	●
USB power supply	●	●	●	●	●
Windows on leftside can be opened	●	●	●	●	●
2 speakers	●	●	●	●	●
6 fluid-filled elastic mounts	●	●	●	●	●
8 inch monitor	●	●	●	●	●

MONITOR SYSTEM	ZX490-7G	ZX490 LC-7G	ZX490 H-7G	ZX490 LCH-7G	ZX490 LCR-7G
Alarms: overheat, engine warning, engine oil pressure, alternator, minimum fuel level, hydraulic filter restriction, air filter restriction, work mode, overload, etc	●	●	●	●	●
Alarm buzzers: overheat, engine oil pressure, overload, trouble, etc	●	●	●	●	●
Display of meters: water temperature, hour, fuel rate, clock, etc	●	●	●	●	●
Other displays: work mode, auto-idle, glow, rear view monitor, operating conditions, etc	●	●	●	●	●
35 languages selection	●	●	●	●	●

LIGHTS	ZX490-7G	ZX490 LC-7G	ZX490 H-7G	ZX490 LCH-7G	ZX490 LCR-7G
Additional boom LED light with cover	○	○	○	○	○
Additional cab roof front 2 LED lights	○	○	○	○	○
Additional cab roof front 4 LED lights	○	○	○	○	○
Additional cab roof rear 1 LED light	○	○	○	○	○
LED lights for camera (side and rear view camera)	○	○	○	○	○
Rotating lamp	○	○	○	○	○
1 working LED light	●	●	●	●	●

UPPER STRUCTURE	ZX490-7G	ZX490 LC-7G	ZX490 H-7G	ZX490 LCH-7G	ZX490 LCR-7G
AERIAL ANGLE (side and rear view camera)	●	●	●	●	●
Auto-grease lubricator (without bucket and link pins)	●	●	●	●	●
Batteries	●	●	●	●	●
Body top handrail	●	●	●	●	●
Counterweight 9 080 kg	●	●	●	●	●
Electric fuel refilling pump with auto stop and filter	○	○	○	○	○
Electrical grease pump with hose-reel	○	○	○	○	○
Fuel level float	●	●	●	●	●
Hydraulic oil level gauge	●	●	●	●	●
Ladder	○	○	○	○	○
Lockable fuel refilling cap	●	●	●	●	●
Lockable machine covers	●	●	●	●	●
Lockable tool box	●	●	●	●	●
Platform handrail	●	●	●	●	●
Right side and rear view camera	●	●	●	●	●
Sidewalk (cab side)	○	○	○	○	○
Skid-resistant plates and handrails	●	●	●	●	●
Swing parking brake	●	●	●	●	●
Undercover	●	●	●	●	●
Utility space	●	●	●	●	●
2 way disconnect switch	●	●	●	●	●

● : Standard equipment ○ : Optional equipment - : Not applicable

UNDERCARRIAGE	ZX490-7G	ZX490 LC-7G	ZX490 H-7G	ZX490 LCH-7G	ZX490 LCR-7G
Bolt-on sprocket	●	●	●	●	●
Full track guard	-	-	●	●	●
Idler	●	●	●	●	●
Lower rollers (single flange)	●	●	●	●	●
Lower rollers (double flange)	-	-	○	○	○
Reinforced idler	-	-	-	-	○
Reinforced track links with pin seals	●	●	●	●	●
Shoe: 600 mm double grouser	○	○	○	○	○
Shoe: 600 mm triple grouser	●	●	●	●	●
Shoe: 750 mm triple grouser	○	○	○	○	○
Track undercover	○	○	○	○	○
Travel direction mark on track frame	●	●	●	●	●
Travel motor covers	●	●	●	●	●
Travel parking brake	●	●	●	●	●
Upper rollers	●	●	●	●	●
2 track guards (each side) and hydraulic track adjuster	●	●	●	●	●
4 tie down hooks	●	●	●	●	●

FRONT ATTACHMENTS	ZX490-7G	ZX490 LC-7G	ZX490 H-7G	ZX490 LCH-7G	ZX490 LCR-7G
Arm 2.5 m BE	○	○	○	○	-
Arm 2.5 m BER	-	-	-	-	○
Arm 2.9 m BE	○	○	○	○	-
Arm 2.9 m BER	-	-	-	-	○
Arm 3.4 m H	●	●	●	●	-
Arm 3.4 m R	-	-	-	-	●
Boom 6.3 m BE	○	○	○	○	-
Boom 6.3 m BER	-	-	-	-	○
Boom 7.0 m H	●	●	●	●	-
Boom 7.0 m R	-	-	-	-	●
Bucket 1.9 m³ (ISO heaped)	●	○	-	-	-
Bucket 2.1 m³ (ISO heaped)	○	●	-	-	-
Bucket 1.9 m³ Rock (ISO heaped)	-	-	●	●	-
Bucket 1.9 m³ R (ISO heaped)	-	-	-	-	●
Centralized lubrication system	●	●	●	●	●
Damage prevention plate and square bars	●	●	●	●	●
Dirt seal on all bucket pins	●	●	●	●	●
Flanged pin	●	●	●	●	●
Reinforced welded link A	-	-	○	○	○
Reinforced link B	-	-	○	○	○

ATTACHMENTS	ZX490-7G	ZX490 LC-7G	ZX490 H-7G	ZX490 LCH-7G	ZX490 LCR-7G
Accessories for 2 speed selector	○	○	○	○	○
Breaker and crusher piping	○	○	○	○	○
Pilot accumulator	●	●	●	●	●

MISCELLANEOUS	ZX490-7G	ZX490 LC-7G	ZX490 H-7G	ZX490 LCH-7G	ZX490 LCR-7G
ConSite	○	○	○	○	○
Global e-Service	●	●	●	●	●
Onboard information controller	●	●	●	●	●
Standard tool kit	●	●	●	●	●
Theft prevention system**	○	○	○	○	○

Standard and optional equipment may vary by country, so please consult authorized dealer for details.
 * Engine oil and hydraulic oil monitoring sensor.
 ** Hitachi Construction Machinery cannot be held liable for theft, any system will just minimize the risk of theft.

Before using a machine with a satellite or tele-communication system, please make sure that the satellite or tele-communication system complies with local regulations, safety standards and legal requirements. If not so, please make modifications accordingly.

These specifications are subject to change without notice.

Illustrations and photos show the standard models, and may or may not include optional equipment, accessories, and all standard equipment with some differences in color and features.

Before using, please read and understand the Operator's Manual for proper operation.