

MATERIAL HANDLING MACHINE

ZAXIS240LC / ZAXIS330LC

A P P L I C A T I O N & A T T A C H M E N T



Model Code	ZX240LC-5G	ZX330LC-5G
Engine Rated Power	132 kW (177 HP)	184 kW (246 HP)
Operating Weight	27 600 - 28 800 kg	37 700 - 38 700 kg

HITACHI

MATERIAL HANDLING MACHINE

ZAXIS *Empower your Vision.*

Under tough working environments, the Hitachi material handling machine can work dynamically with less jerking, increasing productivity, fuel efficiency, safety and maintainability. The machine is purpose built for extra-wide working ranges using the long reach front. The high lift cab gives a clear view of work places. A wide selection of attachments also gives the machine excellent versatility to suit diverse job needs on different job yards, including scrap yards, auto wrecking yards and log yards.



Pursuits of Performance and Durability

Page 4

- Durable, reliable engine (non-common rail type)
- Gooseneck type front



Performance

Page 4

- High controllability to suit material handling
- Fuel-efficient operation
- Double arm cylinders
- High lift cab (Linkage type)



Safety and Simplified Maintenance

Page 6

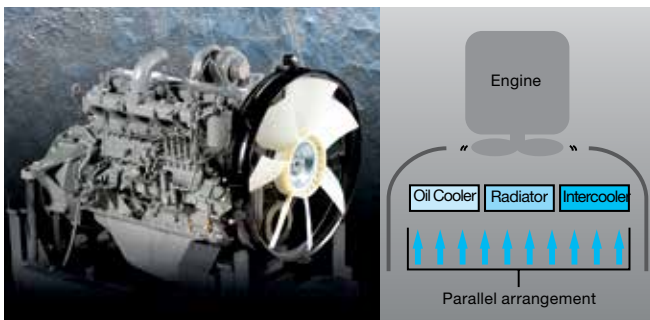
- Emergency linkage cab lowering system
- Emergency evacuation ladder
- Hose rupture valves for arm and boom
- Rear view camera (optional)
- Dust-proof indoor net
- Remote centralized greasing
- Openable cab front upper guard
- Utility space



Pursuits of Performance and Durability

Durable, Reliable Engine (Non-Common Rail Type)

This green engine has a track record of working on countless job sites around the world, meeting the EU stage II and US EPA Tier 2 emissions regulations. It is a non-common rail type, featuring high durability and reliability, teamed up with a direct fuel injection system and an advanced governor to deliver plenty of power. The cooling package is well designed to keep the engine cool. The engine cover has a wide air suction aperture, and radiators are arranged in parallel for effective cooling.



Gooseneck Type Front

The gooseneck type front brings about high production in handling long materials. Arm lifting force is boosted even more with double arm cylinders on boom sides, helping reduce falling objects. Structures are strengthened with reinforced plates at key areas, and welded in a new way to build up more suitable weld beads, avoiding stress concentration. Hydraulic piping and hoses at the front are streamlined using new clamps to increase durability.



Performance

High controllability – a Hitachi tradition – helps increase production in tough material handling applications with smooth starts and stops of swing.

Fuel-Efficient Operation

New ZAXIS achieves fuel-efficient operation thanks to the HIOS III hydraulic system and engine control system.



Image shown for illustration purpose only. Kindly consult to nearest dealer for more details.

Double Arm Cylinders

Double arm cylinders are positioned optimally to give the arm more lifting power in wider working ranges, increasing productivity.

High Lift Cab

The linkage cab is redesigned for higher stability and rigidity by strengthening the linkage itself and repositioning lift cylinders. This design approach can reduce cab shaking significantly, especially at starts and stops of cab rising.



Safety and Simplified Maintenance



Image shown for illustration purpose only. Kindly consult to nearest dealer for more details.

Emergency Linkage Cab Lowering System (Operable from within cab and ground-level)

Even if the hydraulic system or the electric system fails, the high lift cab can be safely lowered with dual safety measures – an emergency switch within cab and one at the linkage foot.



Emergency Evacuation Ladder

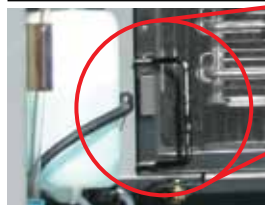
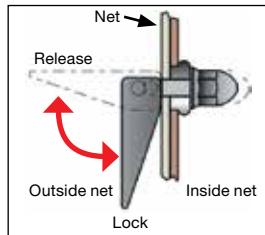
Even if the engine fails, or the lift cylinders or linkage is damaged, the operator can get out of the cab by breaking the rear window with an evacuation hammer, and descend on to the ground through an emergency evacuation ladder provided at the linkage top.





Dust-Proof Indoor Net

The air conditioner condenser package is redesigned for ease of cleaning. A dust-proof indoor net, provided at the front of the air conditioner condenser, can be easily removed, and cleaned with compressed air. The rear of the radiator can also be cleaned by air blowing through a one-touch open cover. The air conditioner condenser is openable at its rear for easy cleaning.



Utility space



Radiators

Hose Rupture Valves for Arm and Boom

Hose rupture valves are utilized to hold the front in position, even if piping or hose is ruptured, avoiding its free fall.



Remote Centralized Greasing

Lubricating points are centralized at the boom foot for safe, easy greasing. Also, the linkage cab lubricating points can be remotely greased from the ground.



Rear View Camera (Optional)

A rear view camera is provided optionally behind the counterweight. The operator can always check the view from the camera through a 7-inch high definition color monitor in the cab.



Openable Cab Front Upper Guard

The cab front upper guard can be opened for convenient cleaning of the windshield glass window.



SPECIFICATIONS

ZX240LC-5G

ENGINE

Model	Isuzu CC-6BG1T
Type	4-cycle water-cooled, direct injection
Aspiration	Turbocharged, intercooled
No. of cylinders	6
Rated power	
ISO 9249, net	132 kW (177 HP) at 2 150 min ⁻¹ (rpm)
SAE J1349, net	132 kW (177 HP) at 2 150 min ⁻¹ (rpm)
Maximum torque	637 Nm (65 kgfm) at 1 800 min ⁻¹ (rpm)
Piston displacement ..	6.494 L
Bore and stroke	105 mm x 125 mm
Batteries	2 x 12 V / 88 Ah

HYDRAULIC SYSTEM

Hydraulic Pumps

Main pumps	2 variable displacement axial piston pumps
Maximum oil flow ..	2 x 223 L/min
Pilot pump	1 gear pump
Maximum oil flow ..	32.0 L/min

Hydraulic Motors

Travel	2 variable displacement axial piston motors
Swing	1 axial piston motor

Relief Valve Settings

Implement circuit	34.3 MPa (350 kgf/cm ²)
Swing circuit	32.4 MPa (330 kgf/cm ²)
Travel circuit	34.8 MPa (355 kgf/cm ²)
Pilot circuit	3.9 MPa (40 kgf/cm ²)
Power boost	38.0 MPa (388 kgf/cm ²)

Hydraulic Cylinders

	Quantity	Bore	Rod diameter
Boom	2	125 mm	90 mm
Arm	2	120 mm	90 mm

UPPERSTRUCTURE

Revolving Frame

D-section frame skirt for resistance to deformation.

Swing Device

Swash plate piston motor with planetary reduction gear is bathed in oil. Swing circle is single-row. Swing parking brake is spring-set/hydraulic-released disc type.

Swing speed	11.0 min ⁻¹ (rpm)
Swing torque	77.5 kNm (7 900 kgfm)

Operator's Cab

Independent spacious cab, 1 005 mm wide by 1 675 mm high, conforming to ISO* Standards.

* International Organization for Standardization

UNDERCARRIAGE

Tracks

Heat-treated connecting pins with dirt seals. Hydraulic (grease) track adjusters with shock-absorbing recoil springs.

Numbers of Rollers and Shoes on Each Side

Upper rollers	2
Lower rollers	9
Track shoes	51
Track guard	1

Travel Device

Each track driven by 2-speed axial piston motor. Parking brake is spring-set/hydraulic-released disc type. Automatic transmission system: High-Low.

Travel speeds	High : 0 to 5.5 km/h
	Low : 0 to 3.4 km/h
Maximum traction force ..	222 kN (22 600 kgf)
Gradeability	70% (35 degree) continuous

SERVICE REFILL CAPACITIES

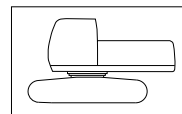
Fuel tank	510.0 L
Engine coolant	26.0 L
Engine oil	25.0 L
Swing device	9.1 L
Travel device (each side)	7.8 L
Hydraulic system	280.0 L
Hydraulic oil tank	156.0 L

WEIGHTS AND GROUND PRESSURE

Equipped with 7.00 m boom, 6.00 m gooseneck type arm, 7 300 kg counterweight.

Triple grouser shoe	Operating weight	Ground pressure
600 mm	27 600 kg	56 kPa (0.57 kg/cm ²)
700 mm	28 000 kg	49 kPa (0.49 kg/cm ²)
800 mm	28 300 kg	43 kPa (0.44 kg/cm ²)
900 mm	28 800 kg	39 kPa (0.40 kg/cm ²)

WEIGHT: BASIC MACHINE and COMPONENTS



Excluding front-end attachment, fuel, hydraulic oil, coolant, etc., and including counterweight.

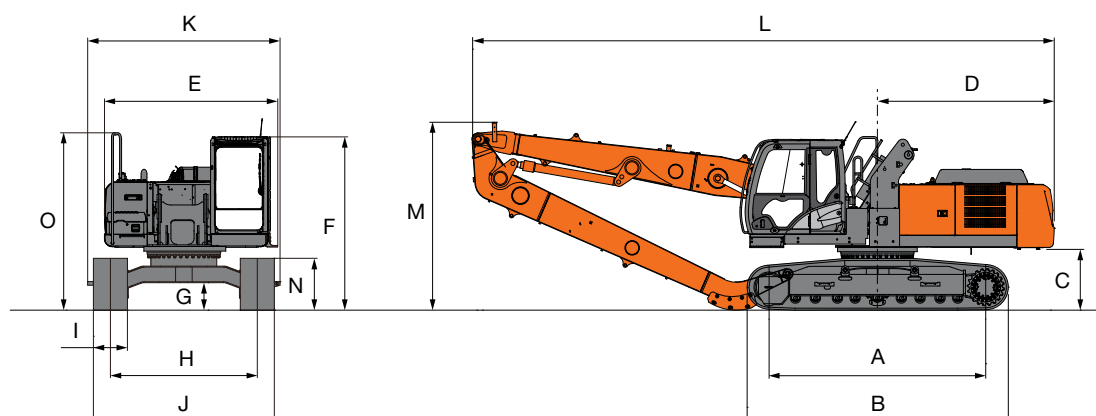
Triple grouser shoe	Weight	Overall width
600 mm	22 500 kg	3 390 mm
700 mm	23 000 kg	3 390 mm
800 mm	23 300 kg	3 390 mm
900 mm	23 800 kg	3 490 mm

Component Weights

Disassembly Conditions	Weight kg	Length mm	Height mm	Width mm
Counterweight	7 300	710	1 200	2 840
7.00 m boom (With arm cylinders)	2 470	7 220	980	1 020
6.00 m gooseneck type arm	1 310	6 200	1 160	930

ZX240LC-5G GOOSENECK TYPE ARM

DIMENSIONS

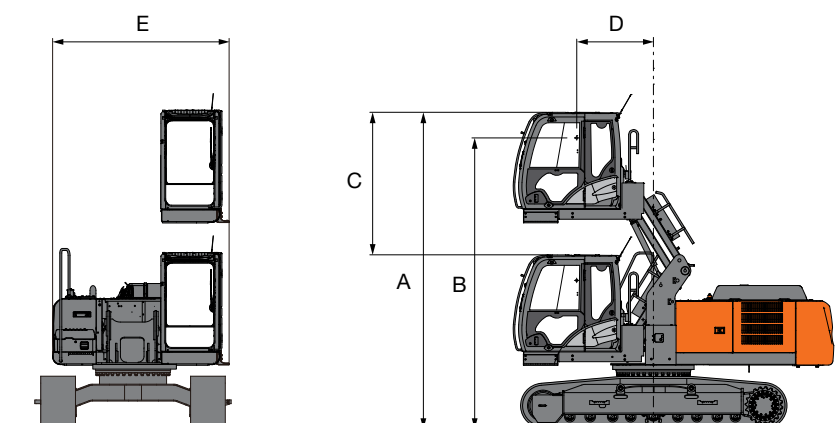


Unit: mm

	ZX240LC-5G
A Distance between tumblers	3 850
B Undercarriage length	4 640
*C Counterweight clearance	1 050
D Rear-end swing radius	3 140
E Overall width of upperstructure	3 140
F Overall height of cab	3 040
*G Min. ground clearance	460
H Track gauge	2 590
I Track shoe width	600 / 700 / 800 / 900
J Undercarriage width	3 190 / 3 290 / 3 390 / 3 490
K Overall width	3 390 / 3 390 / 3 390 / 3 490
L Overall length	10 320
M Overall height of boom	3 330
*N Track height with triple grouser shoes	890
O Overall height	3 090

* Excluding track shoe lug

LINKAGE CAB



Unit: mm

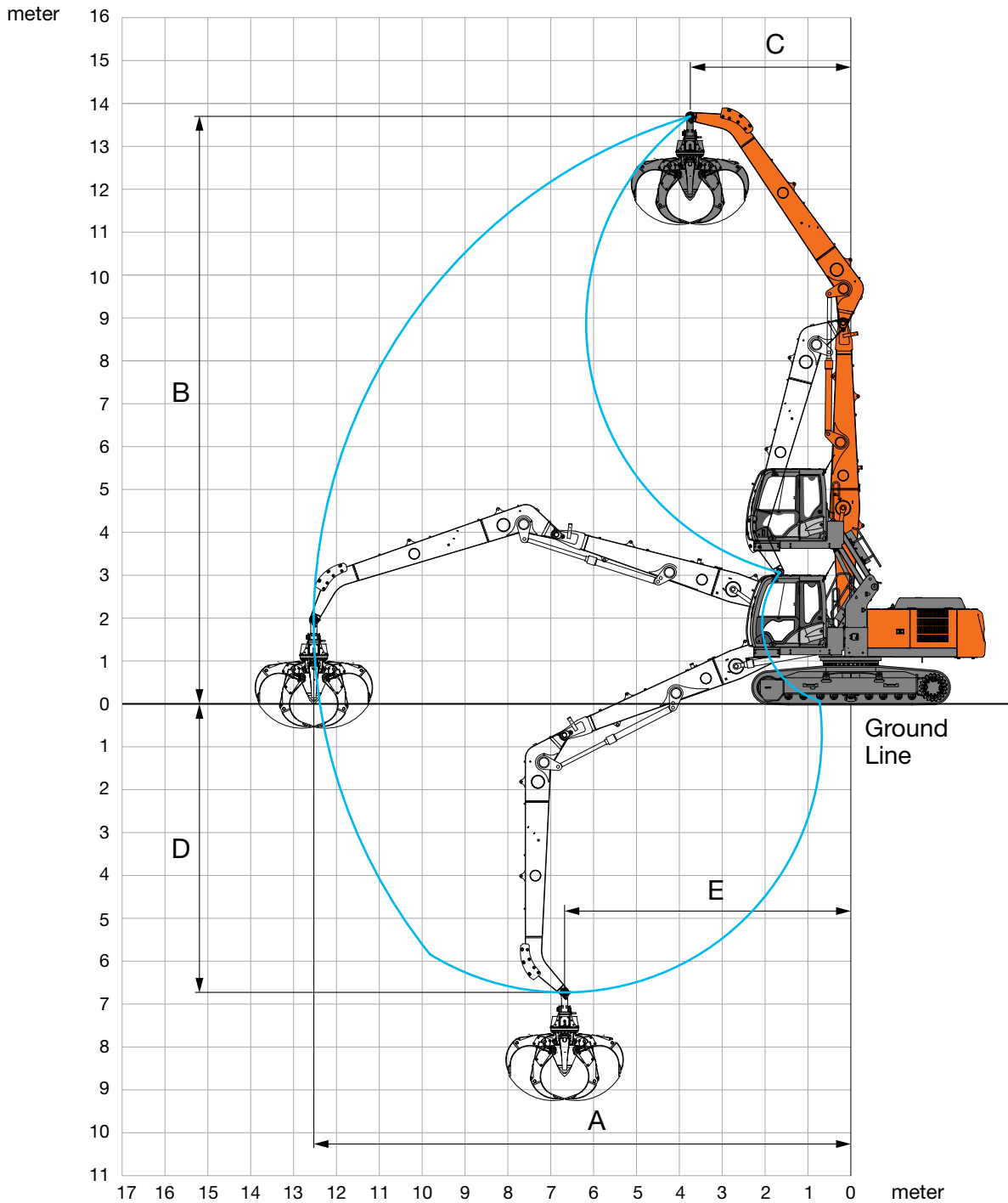
	ZX240LC-5G
A Overall height of cab	3 040 to 5 520
B Operator's view point	2 580 to 5 060
C Lift stroke	2 480
D Operator's view between swing center	1 480
E Overall width upperstructure (Including cab sidewalk)	3 040

Specifications are subject to change without notice. Kindly consult to nearest dealer for more details.

SPECIFICATIONS

ZX240LC-5G GOOSENECK TYPE ARM

WORKING RANGES



Unit: mm

	ZX240LC-5G
Boom length	7.00 m
Arm length	6.00 m
A Max. arm point reach	12 530
B Max. arm point height	13 700
C Min. swing radius at max. height (arm point)	3 740
D Max. arm point depth	6 730
E Max. arm point depth reach	6 680
** Max attachment weight	2 320 kg

* Excluding track shoe lug

** Including material (When using standard cab: 2 320 kg)

Specifications are subject to change without notice. Kindly consult to nearest dealer for more details.

EQUIPMENT

Standard and optional equipment may vary by country, so please consult your Hitachi dealer for details.

● : Standard equipment

○ : Optional equipment

ENGINE

Air cleaner double filters	●
Auto idle system	●
Cartridge-type engine oil filter	●
Cartridge-type fuel pre-filter	●
Cartridge-type fuel main filter	●
Dry-type air filter with evacuator valve (with air filter restriction indicator)	●
ECO/PWR mode control	●
Engine warm-up device	●
Fan guard	●
Water separator	●
Pre-cleaner	○
Dust-Proof indoor net	●
Radiator reserve tank	●
50 A alternator	●

HYDRAULIC SYSTEM

Auto power lift	●
Control valve with main relief valve	●
Full-flow filter	●
High mesh full flow filter with restriction indicator	○
Pilot filter	●
Power boost	●
Suction filter	●
One extra port for control valve	●
Work mode selector	●

CAB

All-weather sound suppressed steel cab	●
AM-FM radio with 2 speakers	●
Ashtray	●

Auto control air conditioner	●
Aux. function lever (Cab)	●
Aux. terminal and storage	○
Cab (Center pillar reinforced structure)	●
Drink holder	●
Drink holder with hot & cool	●
Electric double horn	●
Engine shut-off lever	●
Evacuation hammer	●
Fire extinguisher bracket	○
Floor mat	●
Footrest	●
Front window washer	●
Front window on upper,lower and left side can be opened	●
Lower cab front guard	●
Upper cab front guard	●
Glove compartment	●
Hot & cool box	●
Intermittent windshield wipers	●
Key cylinder light	●
LED room light with door courtesy	●
OPG top guard Level I (ISO10262) compliant cab	●
Pilot control shut-off lever	●
Rear tray	●
Retractable seat belt	●
Rubber radio antenna	●
Seat: fabric seat	●
Seat: mechanical suspension seat	○
Seat: air suspension seat with heater	○
Seat adjustment part: backrest, armrest, height and angle, slide forward/back	●
Short wrist control levers	●

4 fluid-filled elastic mounts	●
24 V cigarette lighter	●

MONITOR SYSTEM

Alarm buzzers: overheating, engine oil pressure, overload	●
Alarms: overheating, engine warning engine oil pressure, alternator, minimum fuel level, hydraulic filter restriction, air filter restriction, work mode, overload, etc	●
Display of meters: water temperature hour fuel rate clock	●
Other displays : work mode, auto-idle, glow, rearview monitor operating conditions, etc	●
32 languages selection	●

LIGHTS

Additional cab roof front lights	○
Additional boom light with cover	●
2 working lights	●
2 working arm lights with cover	●

UPPER STRUCTURE

Electric fuel refilling pump	○
Fuel level float	●
Hydraulic oil level gauge	●
Rear view camera	○
Rear view mirror (right & left side)	●
Swing parking brake	●
Tool box	●
Undercover	●
Utility space	●
7 300 kg counterweight	●
2 x 88 Ah batteries	●

UNDERCARRIAGE

Bolt-on sprocket	●
Reinforced track links with pin seals	●
Travel motor covers	●
Travel parking brake	●
9.0 mm reinforced track undercover	○
Track guard (each side) and hydraulic track adjuster	●
Upper and lower rollers	●
Track guard	●
4 tie down hooks	●
600 mm triple grouser shoes	●
700/800/900 mm triple grouser shoes	○

FRONT ATTACHMENTS

Centralized lubrication system	●
Flanged pin	●
HN bushing	●
6.00 m gooseneck type arm	●
7.00 m boom (for gooseneck type arm)	●

MISCELLANEOUS

Lockable fuel refilling cap	●
Lockable machine covers	●
Onboard information controller	●
Skid-resistant tapes, plates and handrails	●
Standard tool kit	●
Travel direction mark on track frame	●
Global e-Service	●

SPECIFICATIONS

ZX330LC-5G

ENGINE

Model	Isuzu AH-6HK1X
Type	4-cycle water-cooled, direct injection
Aspiration	Turbocharged, intercooled
No. of cylinders	6
Rated power	
ISO 9249, net	184 kW (246 HP) at 2 000 min ⁻¹ (rpm)
SAE J1349, net	184 kW (246 HP) at 2 000 min ⁻¹ (rpm)
Maximum torque	873 Nm (89.0 kgfm) at 1 700 min ⁻¹ (rpm)
Piston displacement ..	7.790 L
Bore and stroke	115 mm x 125 mm
Batteries	2 x 12 V / 128 Ah

HYDRAULIC SYSTEM

Hydraulic Pumps

Main pumps	2 variable displacement axial piston pumps
Maximum oil flow ..	2 x 279 L/min
Pilot pump	1 gear pump
Maximum oil flow ..	32.8 L/min

Hydraulic Motors

Travel	2 variable displacement axial piston motors
Swing	1 swash plate piston motor

Relief Valve Settings

Implement circuit	34.3 MPa (350 kgf/cm ²)
Swing circuit	32.4 MPa (330 kgf/cm ²)
Travel circuit	34.8 MPa (355 kgf/cm ²)
Pilot circuit	3.9 MPa (40 kgf/cm ²)
Power boost	38.0 MPa (388 kgf/cm ²)

Hydraulic Cylinders

	Quantity	Bore	Rod diameter
Boom	2	145 mm	100 mm
Arm	2	140 mm	100 mm

UPPERSTRUCTURE

Revolving Frame

D-section frame skirt for resistance to deformation.

Swing Device

Swash plate piston motor with planetary reduction gear is bathed in oil. Swing circle is single-row. Swing parking brake is spring-set/hydraulic-released disc type.

Swing speed	10.7 min ⁻¹ (rpm)
Swing torque	120 kNm (12 200 kgfm)

Operator's Cab

Independent spacious cab, 1 005 mm wide by 1 675 mm high, conforming to ISO* Standards.

* International Standardization for Organization

UNDERCARRIAGE

Tracks

Heat-treated connecting pins with dirt seals. Hydraulic (grease) track adjusters with shock-absorbing recoil springs.

Numbers of Rollers and Shoes on Each Side

Upper rollers	2
Lower rollers	8
Track shoes	48
Track guards	3

Travel Device

Each track driven by 2-speed axial piston motor. Parking brake is spring-set/hydraulic-released disc type. Automatic transmission system: High-Low.

Travel speeds	High : 0 to 4.9 km/h
	Low : 0 to 3.1 km/h
Maximum traction force ..	298 kN (30 400 kgf)
Gradeability	70% (35 degree) continuous

SERVICE REFILL CAPACITIES

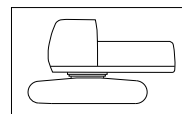
Fuel tank	630.0 L
Engine coolant	35.0 L
Engine oil	36.0 L
Swing device	15.7 L
Travel device (each side)	9.2 L
Hydraulic system	340.0 L
Hydraulic oil tank	180.0 L

WEIGHTS AND GROUND PRESSURE

Equipped with 8.50 m boom, 6.20 m gooseneck type arm, 10 000 kg counterweight.

Triple grouser shoe	Operating weight	Ground pressure
600 mm	37 700 kg	71 kPa (0.72kg/cm ²)
700 mm	38 300 kg	61 kPa (0.62 kg/cm ²)
800 mm	38 700 kg	53 kPa (0.54 kg/cm ²)

WEIGHT: BASIC MACHINE and COMPONENTS



Excluding front-end attachment, fuel, hydraulic oil, coolant, etc., and including counterweight.

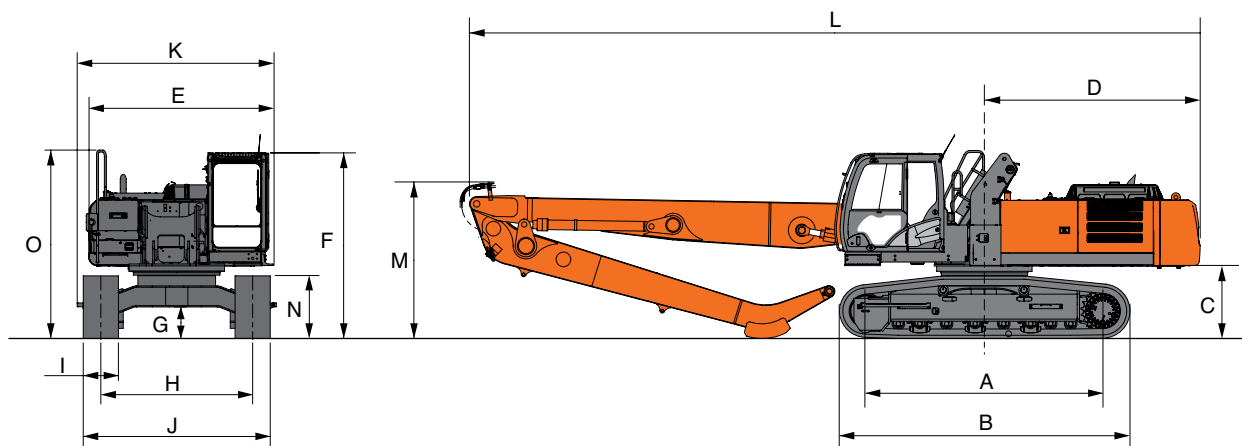
Triple grouser shoe	Weight	Overall width
600 mm	31 000 kg	3 190 mm
700 mm	31 600 kg	3 290 mm
800 mm	32 000 kg	3 400 mm

Component Weights

Disassembly Conditions	Weight kg	Length mm	Height mm	Width mm
Counterweight	10 000	830	1 250	2 950
8.50 m boom (With arm cylinders)	3 520	8 470	1 040	1 070
6.20 m gooseneck type arm	1 560	6 410	1 250	2 950

ZX330LC-5G GOOSENECK TYPE ARM

DIMENSIONS

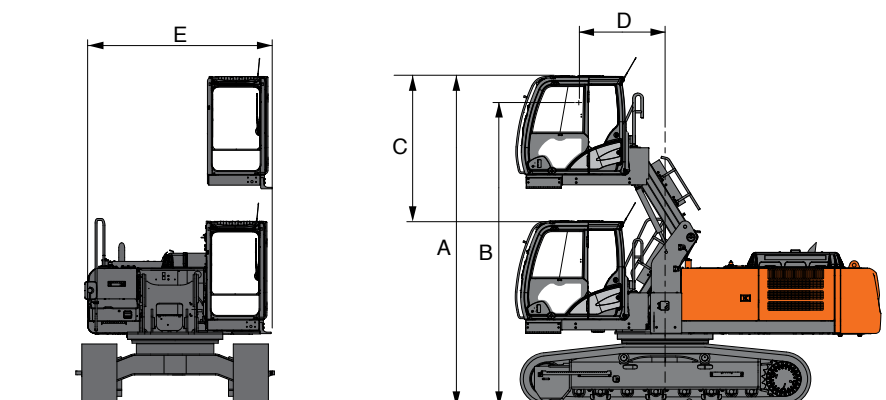


Unit: mm

	ZX330LC-5G
A Distance between tumbler	4 050
B Undercarriage length	4 940
*C Counterweight clearance	1 160
D Rear-end swing radius	3 700
E Overall width of upperstructure	3 160
F Overall height of cab	3 160
*G Min. ground clearance	500
H Track gauge	2 590
I Track shoe width	600 / 700 / 800
J Undercarriage width	3 190 / 3 290 / 3 390
K Overall width	3 400
L Overall length	12 610
M Overall height of boom	2 680
*N Track height with triple grouser shoes	1 060
O Overall height	3 270

* Excluding track shoe lug

LINKAGE CAB



Unit: mm

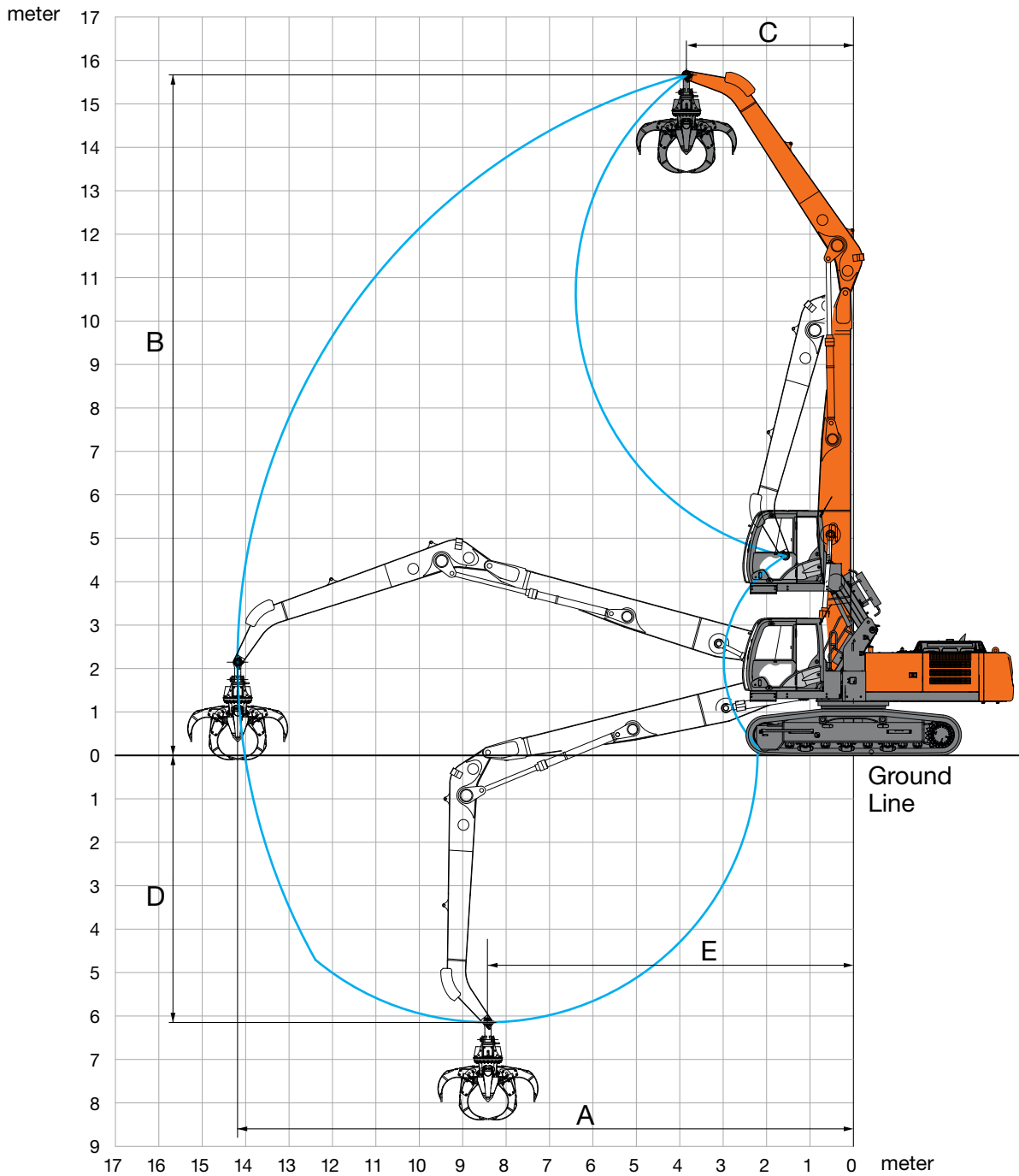
	ZX330LC-5G
A Overall height of cab	3 170 to 5 650
B Operator's view point	2 720 to 5 200
C Lift stroke	2 480
D Operator's view between swing center	1 460
E Overall width upperstructure (Including cab sidewalk)	3 160

Specifications are subject to change without notice. Kindly consult to nearest dealer for more details.

SPECIFICATIONS

ZX330LC-5G GOOSENECK TYPE ARM

WORKING RANGES



Unit: mm

	ZX330LC-5G
Boom length	8.50 m
Arm length	6.20 m
A Max. arm point reach	14 190
B Max. arm point height	15 660
C Min. swing radius at max. height (arm point)	3 850
D Max. arm point depth	6 140
E Max. arm point depth reach	8 420
** Max attachment weight	3 230 kg

* Excluding track shoe lug

** Including material (When using standard cab: 3 000 kg)

Specifications are subject to change without notice. Kindly consult to nearest dealer for more details.

EQUIPMENT

Standard and optional equipment may vary by country, so please consult your Hitachi dealer for details.

● : Standard equipment

○ : Optional equipment

ENGINE

Air cleaner double filters	●
Auto idle system	●
Cartridge-type engine oil filter	●
Cartridge-type fuel pre-filter	●
Cartridge-type fuel main filter	●
Dry-type air filter with evacuator valve (with air filter restriction indicator)	●
ECO/PWR mode control	●
Engine warm-up device	●
Fan guard	●
Water separator	●
Pre-cleaner	○
Dust-Proof indoor net	●
Radiator reserve tank	●
50 A alternator	●

HYDRAULIC SYSTEM

Auto power lift	●
Control valve with main relief valve	●
Full-flow filter	●
High mesh full flow filter with restriction indicator	○
Pilot filter	●
Power boost	●
Suction filter	●
One extra port for control valve	●
Work mode selector	●

CAB

All-weather sound suppressed steel cab	●
AM-FM radio with 2 speakers	●
Ashtray	●

Auto control air conditioner	●
Aux. function lever (Cab)	●
Aux. terminal and storage	○
Cab (Center pillar reinforced structure)	●
Drink holder	●
Drink holder with hot & cool	●
Electric double horn	●
Engine shut-off lever	●
Evacuation hammer	●
Fire extinguisher bracket	○
Floor mat	●
Footrest	●
Front window washer	●
Front window on upper,lower and left side can be opened	●
Lower cab front guard	●
Upper cab front guard	●
Glove compartment	●
Hot & cool box	●
Intermittent windshield wipers	●
Key cylinder light	●
LED room light with door courtesy	●
OPG top guard Level I (ISO10262) compliant cab	●
Pilot control shut-off lever	●
Rear tray	●
Retractable seat belt	●
Rubber radio antenna	●
Seat: fabric seat	●
Seat: mechanical suspension seat	○
Seat: air suspension seat with heater	○
Seat adjustment part: backrest, armrest, height and angle, slide forward/back	●
Short wrist control levers	●

4 fluid-filled elastic mounts	●
24 V cigarette lighter	●

MONITOR SYSTEM

Alarm buzzers: overheat, engine oil pressure, overload	●
Alarms: overheat, engine warning engine oil pressure, alternator, minimum fuel level, hydraulic filter restriction, air filter restriction, work mode, overload, etc	●
Display of meters: water temperature hour fuel rate clock	●
Other displays : work mode, auto-idle, glow, rearview monitor operating conditions, etc	●
32 languages selection	●

LIGHTS

Additional cab roof front lights	○
Additional boom light with cover	●
2 working lights	●
2 working arm lights with cover	●

UPPER STRUCTURE

Electric fuel refilling pump	○
Fuel level float	●
Hydraulic oil level gauge	●
Rear view camera	○
Rear view mirror (right & left side)	●
Swing parking brake	●
Tool box	●
Undercover	●
Utility space	●
10 000 kg counterweight	●
2 x 128 Ah batteries	●

UNDERCARRIAGE

Bolt-on sprocket	●
Reinforced track links with pin seals	●
Travel motor covers	●
Travel parking brake	●
9.0 mm reinforced track undercover	○
Track guard (each side) and hydraulic track adjuster	●
Upper and lower rollers	●
3 track guards	●
4 tie down hooks	●
600 mm triple grouser shoes	●
700/800 mm triple grouser shoes	○

FRONT ATTACHMENTS

Centralized lubrication system	●
Flanged pin	●
HN bushing	●
6.20 m gooseneck type arm	●
8.50 m boom (for gooseneck type arm)	●

MISCELLANEOUS

Lockable fuel refilling cap	●
Lockable machine covers	●
Onboard information controller	●
Skid-resistant tapes, plates and handrails	●
Standard tool kit	●
Travel direction mark on track frame	●
Global e-Service	●



Built on the foundation of superb technological capabilities, Hitachi Construction Machinery is committed to providing leading-edge solutions and services to contribute as a reliable partner to the business of customers worldwide.

Hitachi Environmental Vision 2025

The Hitachi Group released the Environmental Vision 2025 to curb annual carbon dioxide emissions. The Group is committed to global production while reducing environmental impact in life cycles of all products, and realizing a sustainable society by tackling three goals — prevention of global warming, conservation of resources, and preservation of ecosystem.

Reducing Environmental Impact by New ZAXIS

Hitachi makes a green way to cut carbon emissions for global warming prevention according to LCA*. New ZAXIS utilizes lots of technological advances, including the new ECO mode, and Isochronous Control. Hitachi has long been committed to recycling of components, such as aluminum parts in radiators and oil cooler. Resin parts are marked for recycling.

*Life Cycle Assessment – ISO 14040

These specifications are subject to change without notice.

Illustrations and photos show the standard models, and may or may not include optional equipment, accessories, and all standard equipment with some differences in color and features.

Before use, read and understand the Operator's Manual for proper operation.

